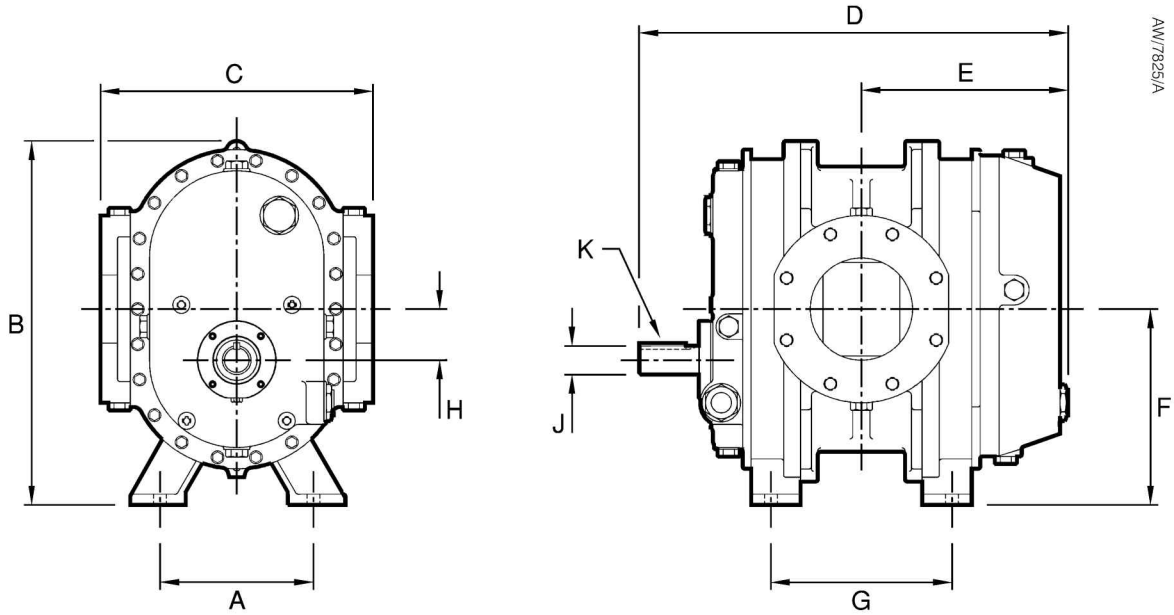


Figure 8 - Bareshaft H (horizontal) booster pump dimensions



Pump	Dimensions: mm (inch)									
	A	B	C	D	E	F	G	H	J	K
900-607-MHR	228 (8.5)	543 (21.4)	406 (16.0)	641 (25.2)	309 (12.1)	292 (11.5)	270 (10.7)	76 (3.0)	43 (1.7)	*
900-615-MHR	228 (8.5)	543 (21.4)	406 (16.0)	843 (33.2)	409 (16.1)	292 (11.5)	470 (18.5)	76 (3.0)	43 (1.7)	.*
900-622-MHR	228 (8.5)	543 (21.4)	438 (17.3)	1018 (40.1)	498 (19.6)	292 (11.5)	648 (25.5)	76 (3.0)	43 (1.7)	*

.* 9 mm (3/8 inch) square key