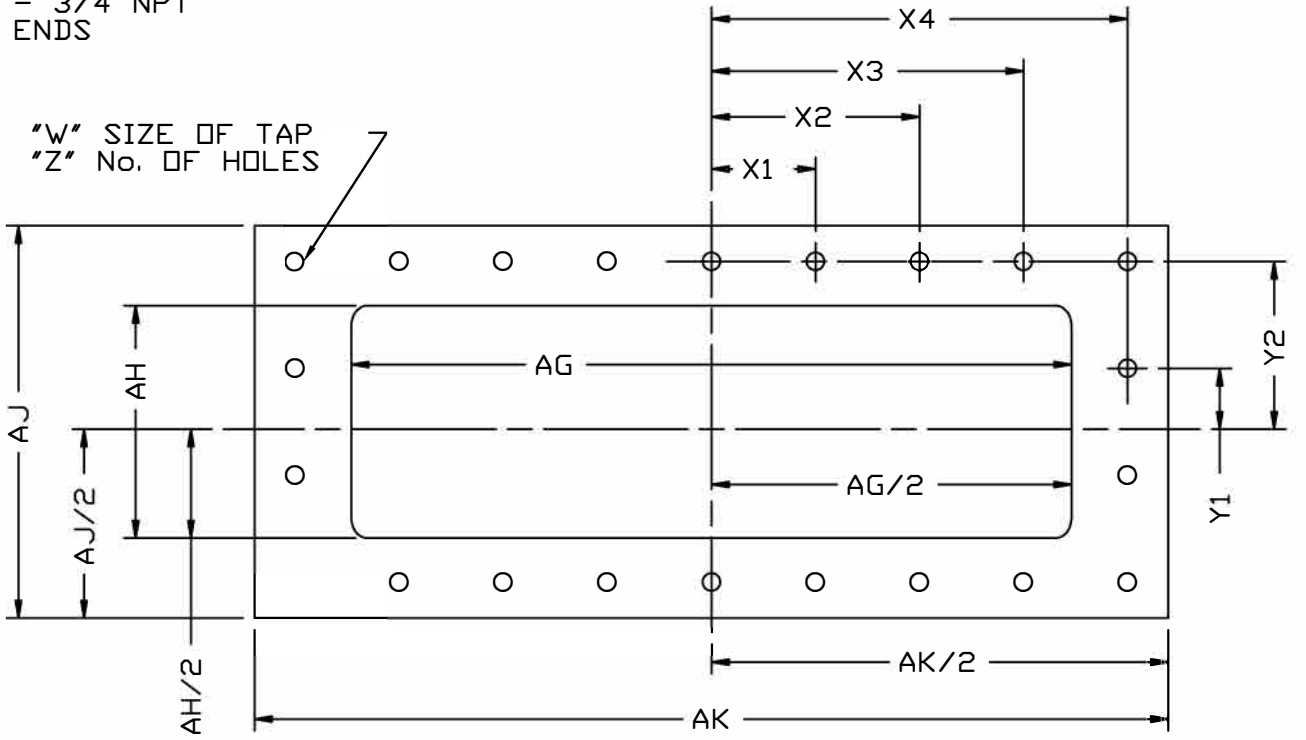
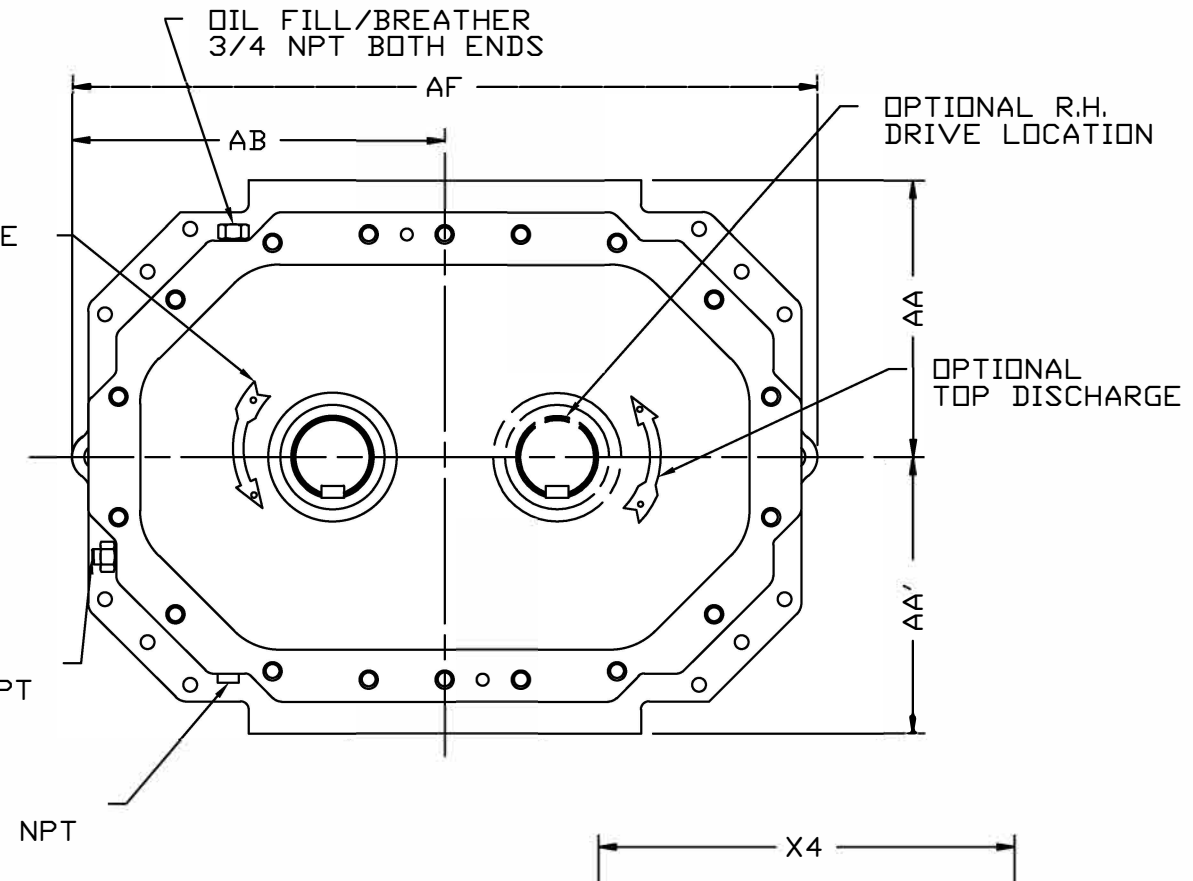


VIEW OF DISCHARGE



INLET & DISCHARGE FLANGES TO MATE FLUSH & SQUARE WITH FLAT FACE FLANGE ONLY. USE FULL FACE GASKETS.

V-BELT DRIVEN UNITS: MOTOR TO BE LOCATED ON INLET SIDE OF HORIZONTAL FLOW UNITS & ON DRIVE SHAFT SIDE OF VERTICAL FLOW UNITS.

AD - MAXIMUM SHEAVE WIDTH (SEE OVERHUNG LOAD LIMIT K-24102)

AE - MINIMUM SHEAVE DIAMETER (SEE OVERHUNG LOAD LIMIT K-24102)

ALL DIMENSIONS IN INCHES UNLESS OTHERWISE SPECIFIED METRIC DIMENSIONAL #90768022

INDUSTRIAL EQUIPMENT • MAJOR STOCKING DISTRIBUTOR
ENGINEERING • SALES • SERVICE • PARTS

242 POPLAR STREET • P.O. BOX 8053 • TOLEDO, OH 43605 • (419) 691-3571 • FAX (419) 691-1928
5091 WEST 184TH STREET • CLEVELAND, OHIO 44142 • (216) 265-0666 • FAX (216) 265-0667
1-800-882-1992 (OHIO TOLL FREE) 1-855-691-0621 (MICHIGAN TOLL FREE)
www.tomlinequip.com



		DRIVE LOCATION	
		LH	RH
DISCH. LOCATION	TOP	CW	CCW
	BOTTOM	CCW	CW

UNIT IS BUILT TO CUSTOMERS SPECIFIED ORIENTATION

MODEL	C	M	N	U MM	V MM	KEYWAY MM	INLET AA	DISCH AA'	AB	AD	AE	AF	AG	AH	AJ	AK	APPROX WEIGHT
722	41.17	16.14	4.56	60.00	76.20	18.0X7.0	8.63	8.63	1.63	4.43	11.80	23.25	17.50	6.75	12.25	22.75	1325 LBS
728	46.92	19.01	"	"	"	"	"	"	"	"	"	22.50	"	"	28.50	1540 LBS	

MODEL	X1	X2	X3	X4	Y1	Y2	W	Z
722	3.42	6.84	-	10.26	1.67	5.00	M16x2	18
728	3.25	6.50	9.75	13.00	1.67	5.00	M16x2	22

CERTIFIED CORRECT FOR	UPDATE TO HOWDEN, TRI-RAM BRAND	MPM	16849V	MNM	V-BELT DRIVE DATA
CUSTOMER ORDER No.	"AH" WAS 8.75		13157H		BELTS
ROOTS ORDER No.	REV DIM "AH" FROM 3.68		11471H		DRIVE SHEAVE
DATE	ORA CIE CONVER S NO		11471H		DRIVEN SHEAVE
	REVISIONS	BY	CHANGE NOTICE	CHKD.	APP.
					CENTER DISTANCE

TRI-RAM™
TRI-LOBE BLOWERS MODELS 722 & 728

			90762021	REV. D
DR	CHKD	APP		