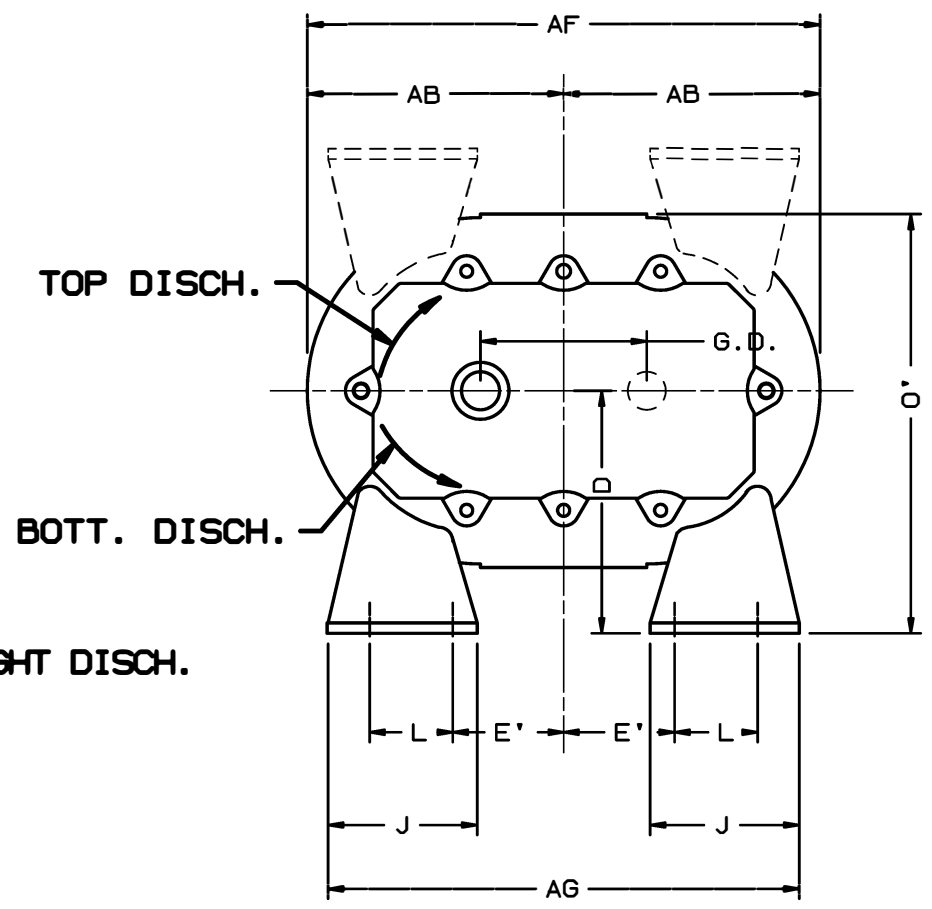
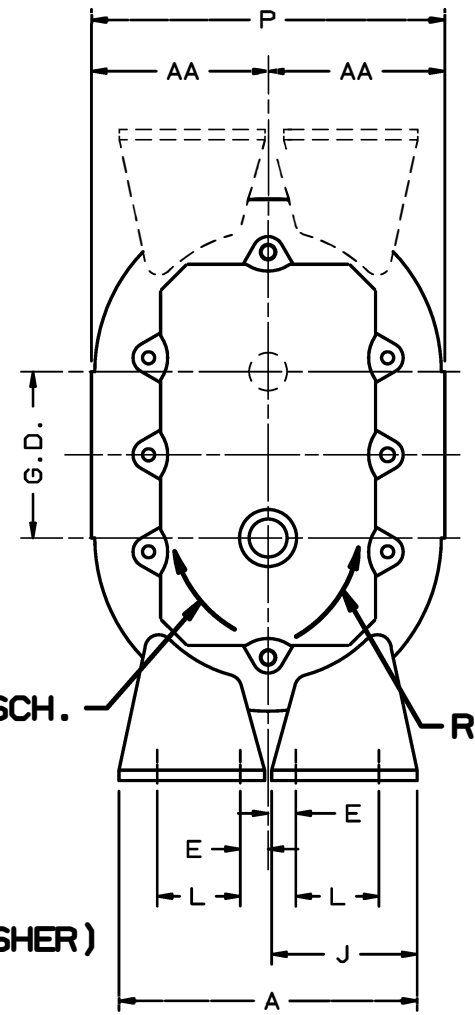
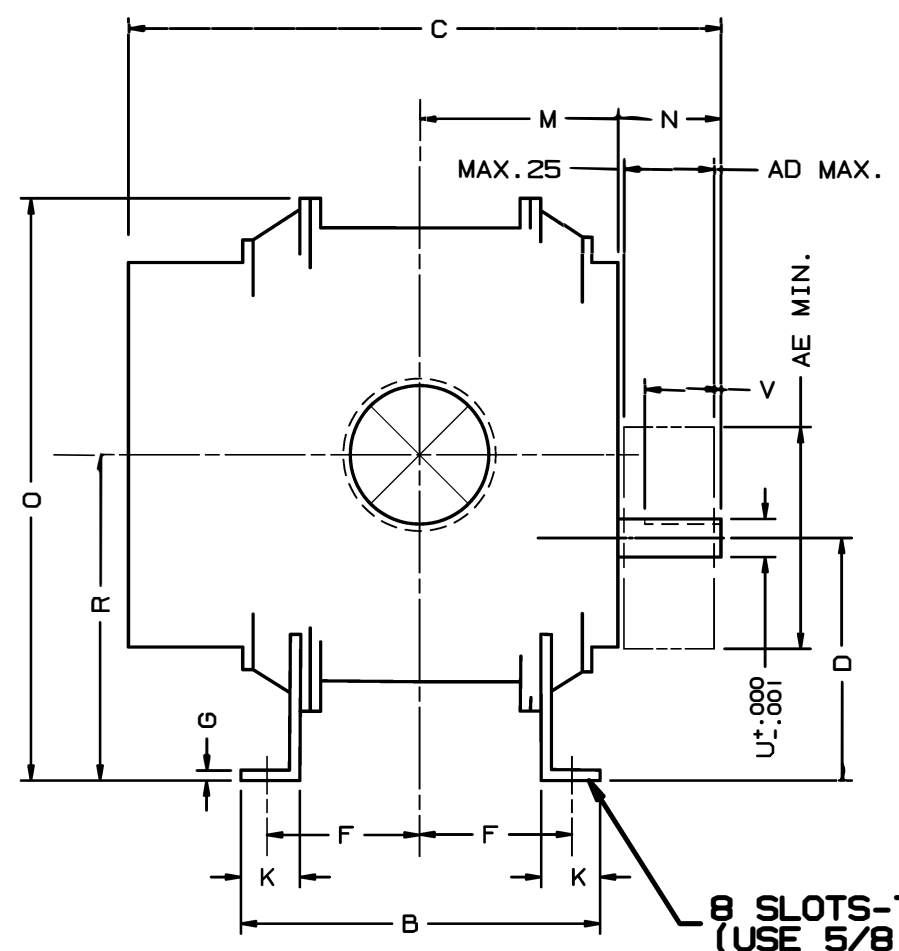


No. REQ'D.	PART NAME	PATT. No. PART No.	MAT'L.



8 SLOTS-7/8 WIDE
(USE 5/8 BOLTS W/WASHER)

W-INLET
W'-DISCHARGE
AD-SHEAVE WIDTH
AE-SHEAVE DIA.
ALL DIM. IN INCHES

	6"FLG
OPENING	6.00
BOLT CIRCLE	9.50
FLANGE O.D.	11.00
NO. TAPPED HOLES	8
SIZE HOLES	3/4-10
TAP DEPTH	1.13

UNIT SIZE	APPROX. OIL CAP. (IN FL. OZ.)				G.D.
	VERT.		HORIZ.		
	GEAR END	DRIVE END	GEAR END	DRIVE END	
6"	28.3	15.5	52.1	30.5	6.00

FRAME SIZE	A	B	C	D	E	E'	F	G	J	K	L	M	N	O	O'	P	R	U	V	KEYWAY	W	W'	AA	AB	AD	AE	AF	AG	APPROX WEIGHT
65	11.00	10.00	18.38	8.75	1.00	4.00	3.81	.38	5.38	2.13	3.00	5.66	3.53	21.63	15.13	12.75	11.75	1.375	2.75	.312x.156	3"NPT	3"NPT	6.38	9.88	3.44	8.00	19.75	17.00	250 LBS
68	"	13.00	21.38	"	"	"	5.81	"	"	"	"	7.16	3.66	"	"	"	"	"	"	"	5"NPT	5"NPT	"	"	"	"	"	"	290 LBS
615	"	20.00	28.38	"	"	"	8.81	"	"	"	"	10.66	"	"	16.25	15.00	"	"	"	"	6"FLG	6"FLG	7.50	"	"	"	"	"	430 LBS



INDUSTRIAL EQUIPMENT • SALES • SERVICE • PARTS
ENGINEERING • SALES • SERVICE • PARTS
242 POPLAR STREET • P.O. BOX 8053 • TOLEDO, OH 43605 • (419) 691-3571 • FAX (419) 691-1928
5091 WEST 164TH STREET • CLEVELAND, OHIO 44142 • (216) 265-0666 • FAX (216) 265-0667
1-800-882-1992 (OHIO TOLL FREE) 1-855-691-0621 (MICHIGAN TOLL FREE)
www.tomlinequip.com

MFG. REF.	62753021	DATE	08/15/03
-----------	----------	------	----------

DO NOT SCALE FOR DIMENSIONS
ALL DIMENSIONS SHOWN IN BRACKETS [] ARE MILLIMETERS

CONFIDENTIAL	DR. RK	08/15/03
THIS DOCUMENT CONTAINS CONFIDENTIAL INFORMATION OF DRESSER ROOTS, DRESSER, INC. IT SHALL BE HELD IN STRICTEST CONFIDENCE, AND BE USED ONLY IN CONJUNCTION WITH DRESSER ROOTS BUSINESS.	CHKD. RK	08/15/03
	APP. AGP	08/15/03
	DBV	

DIMENSIONAL DRAWING
6" U-RAI DSL BLOWER

REF: EP938	CONCENTRICITY	REVISIONS	BY	DATE	CHANGE NOTICE	CHKD.	APP
FLATNESS	PERPENDICULARITY						
ANGULARITY	PROFILE OF LINE						
PARALLELISM	PROFILE OF A SURFACE						
TRUE POSITION	DIAMETER						
STRAIGHTNESS	FINISH IN MICRO INCHES						

DIMENSIONAL TOLERANCES UNLESS OTHERWISE SPECIFIED
FINISHED DIMENSIONS
TWO PLACE DECIMALS (.XX) --- ±.015
THREE PLACE DECIMALS (.XXX) --- ±.008
FRACTIONAL --- ±1/64

T30381021 REV