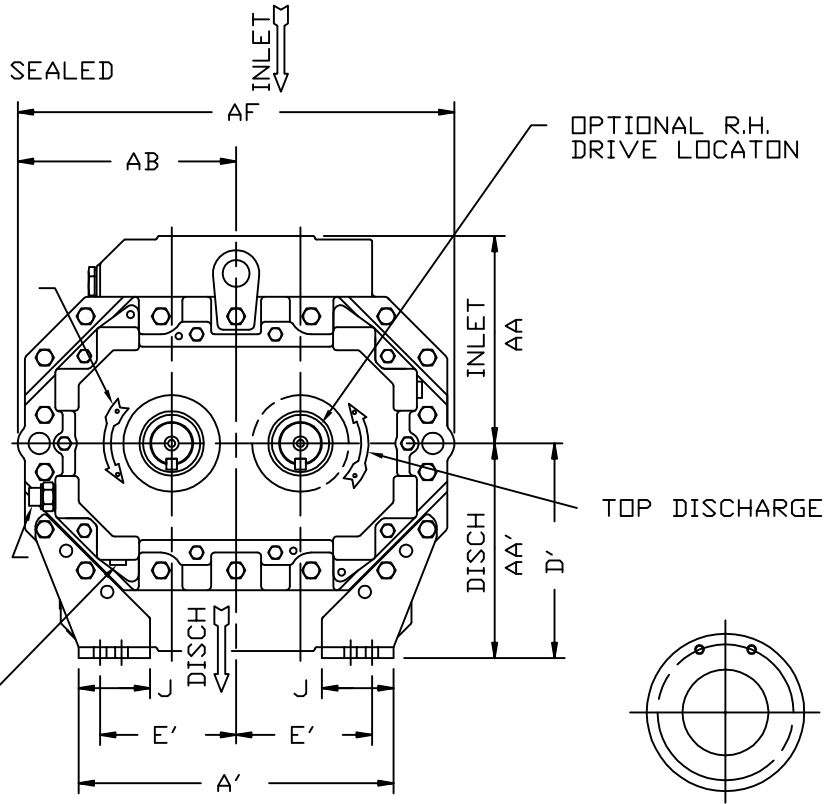
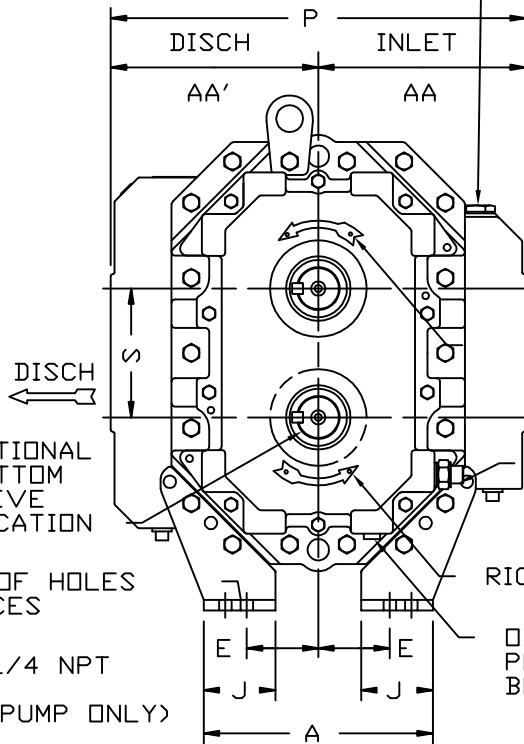
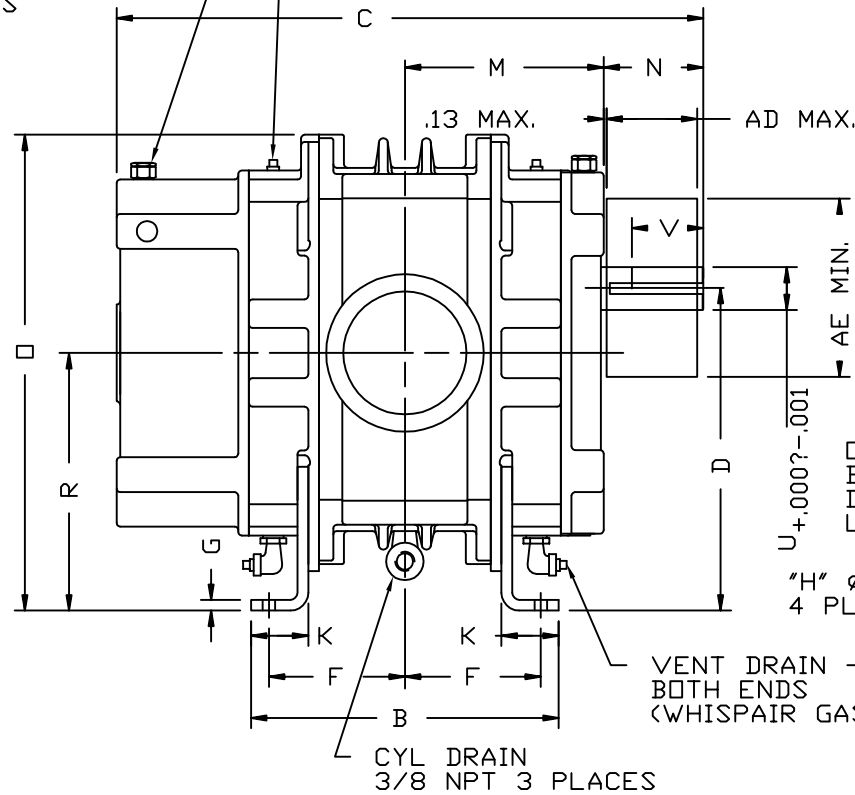


OIL FILL/ BREATHER
1/2 NPT
BOTH ENDS

VENT PURGE CONN. - 1/2 NPT
BOTH ENDS
(WHISPAIR GAS PUMP ONLY)

1/2 NPT CONNECTION
SEAL WATER
4.5 G.P.M. MAX

(WHISPAIR WATER SEALED
VAC. PUMP ONLY)



W - INLET
W' - DISCHARGE
AD - MAXIMUM SHEAVE WIDTH
(SEE OVERHUNG LOAD LIMIT K-24102)
AE - MINIMUM SHEAVE DIAMETER
(SEE OVERHUNG LOAD LIMIT K-24102)
ALL DIMENSIONS IN INCHES

INLET & DISCHARGE FLANGES TO
MATE FLUSH & SQUARE WITH
FLAT FACE FLANGE ONLY.
USE FULL FACE GASKETS.
V-BELT DRIVEN UNITS: MOTOR
TO BE LOCATED ON INLET SIDE
OF BLOWER.

FLG	5"	6"	8"	10"
OPENING	5"	6"	8"	10"
BOLT CIRCLE	8.50	9.50	11.75	14.25
FLANGE O.D.	10.00	11.00	13.50	16.00
No TAPPED HOLES	8	8	8	12
SIZE HOLES	3/4-10	3/4-10	3/4-10	7/8-9
TAP DEPTH	1.13	1.13	1.13	1.13

A 5048V
C 5420V
D 5560V
E 5767V
F 5986V
G 6186V

FRAME SIZE	A	A'	B	C	D	D'	E	E'	F	G	H	J	K	M	N	O	P	R	S	U	V	KEYWAY	W	W'	INLET AA	DISCH AA'	AB	AD	AE	AF	APPROX WEIGHT
404	8.00	11.00	8.75	18.50	11.25	7.50	2.50	4.75	3.75	.38	.44	2.50	2.00	5.95	3.48	16.63	14.50	9.00	4.50	1.50	2.75	.375X.188	3"NPT	3"NPT	7.25	7.25	7.63	3.06	7.10	15.25	260
406	"	"	10.75	20.50	"	"	"	"	4.75	"	"	"	"	6.95	"	"	"	"	"	"	"	"	4"NPT	4"NPT	"	"	"	"	"	"	300
409	"	"	13.75	23.50	"	"	"	"	6.25	"	"	"	"	8.45	"	"	"	"	"	"	"	"	5"NPT	5"NPT	"	"	"	"	"	"	350
412	"	"	16.75	26.50	"	"	"	"	7.75	"	"	"	"	9.95	"	"	13.00	"	"	"	"	"	6"FLG	5"FLG	6.00	7.00	"	"	"	"	400
418	"	"	22.75	32.50	"	"	"	"	10.75	"	"	"	"	12.95	"	"	14.00	"	"	"	"	"	8"FLG	6"FLG	7.00	"	"	"	"	"	500
616	9.00	15.00	20.75	32.19	15.00	9.00	3.50	6.50	9.75	.38	.56	2.50	2.00	12.41	4.30	22.00	16.25	12.00	6.00	2.00	3.63	.500x.250	8"FLG	6"FLG	7.50	8.75	10.00	4.44	8.50	20.00	700
624	"	"	28.75	40.19	"	"	"	"	13.75	"	"	"	"	16.41	"	"	17.50	"	"	"	"	"	10"FLG	8"FLG	8.75	"	"	"	"	"	910

CONFIDENTIAL AND PROPRIETARY: THIS DRAWING IS CONFIDENTIAL AND IS THE PROPERTY OF HOWDEN ROOTS, LLC. THE DRAWING OR ANY PART THEREOF MUST NOT BE COPIED OR OTHERWISE REPRODUCED OR DIVULGED TO ANY OTHER PARTY, OR USED FOR MANUFACTURE OR OTHER PURPOSE WITHOUT THE EXPRESS PERMISSION OF THE COMPANY.

MFG. REF.:		SPEC SECTION:			ENGINEER CO.:			MAT'L:		PATT. No.		GEOMETRIC TOLERANCE PER: EP938		ORDER No.	
UPDATED TO HOWDEN BRANDING		MPM	1/7/16	16883V	MNM			DR. RDR		DIMENSIONAL TOLERANCES PER UNLESS OTHERWISE SPECIFIED T1		DO NOT SCALE FOR DIMENSIONS ALL DIMENSIONS SHOWN IN BRACKETS [] ARE MILLIMETERS			
ADDED 'INLET' & 'DISCHARGE'		RDR		6484V				CHKD.BMS		T1: TWO PLACE DECIMALS (.XX) ±.015 THREE PLACE DECIMALS (.XXX) ±.005 FRACTIONAL - ±1/64		T2: ANCHOR BOLT LOCATIONS ±.13 BLOWER INLET & DISCHARGE LOCATIONS ±.25 ALL OTHER DIMENSIONS REFERENCE		FINISH IN μ INCHES	
REV DIM 'H' ON 600		RDR		6294V	BMS	AGP	APP. RDA						THIRD ANGLE PROJECTION		
REV DIM 'AF' ON 600		RDR		6260V	BMS	AGP	DBV.								
REVISIONS		BY	DATE M/D/Y	CHANGE NOTICE	CHKD	APP	CAD FORMAT AUTO CAD	CAD FILE / DIRECTORY 78389A21 / XXAD	SCALE NTS	DATE M/D/Y	400/600 SERIES RAM (WHISPAIR) RAM-J/RAM-GJ & RAM-VJ				



78389021
SHEET 1 OF 1

REV L

TOMLIN
Equipment Co.
Since 1948
INDUSTRIAL EQUIPMENT • MAJOR STOCKING DISTRIBUTOR
ENGINEERING • SALES • SERVICE • PARTS
242 POPLAR STREET • P.O. BOX 8053 • TOLEDO, OH 43605 • (419) 691-3571 • FAX (419) 691-1928
5091 WEST 164TH STREET • CLEVELAND, OHIO 44142 • (216) 265-0686 • FAX (216) 265-0687
1-800-882-1992 (OHIO TOLL FREE) www.tomlinequip.com 1-855-691-0621 (MICHIGAN TOLL FREE)