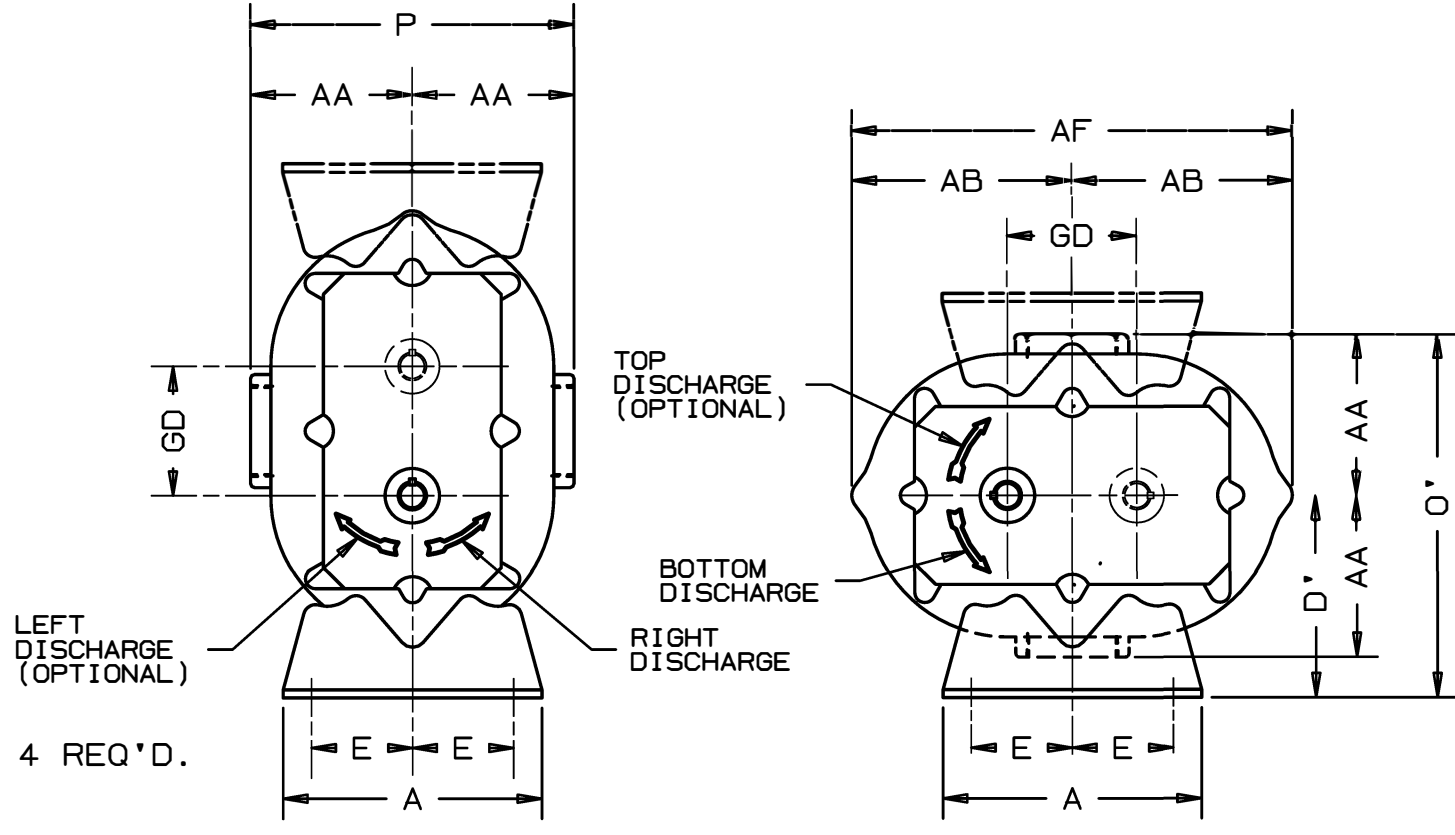
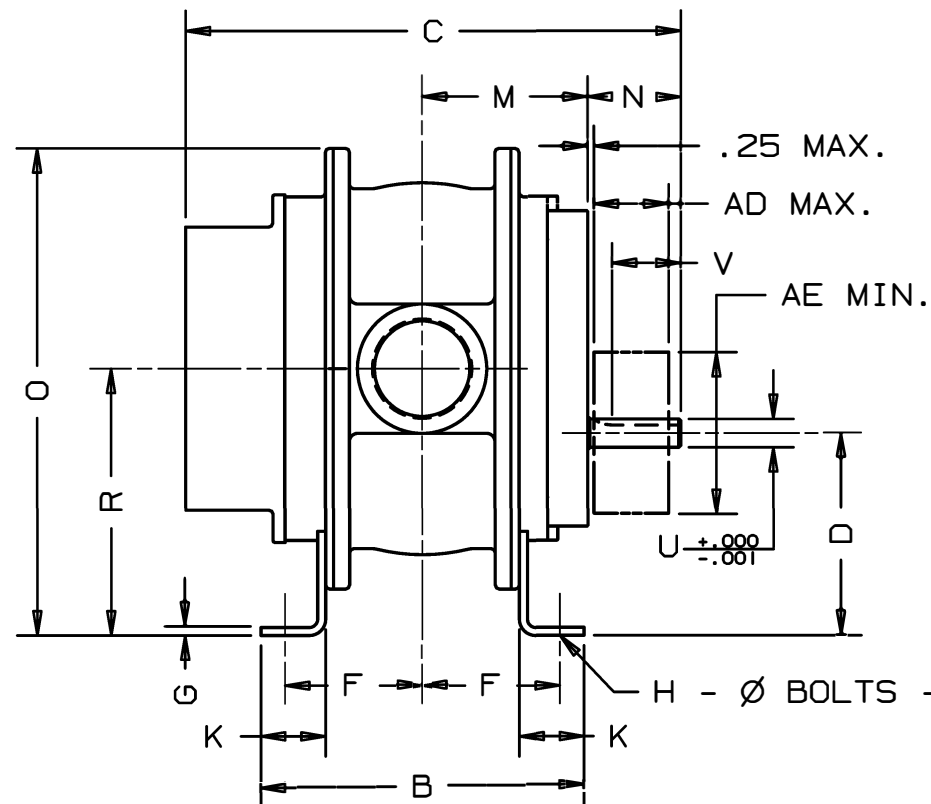


FRAME	APPROX. OIL CAPACITY			
	GEAR END SUMP		DRIVE END SUMP	
	VERTICAL	HORIZONTAL	VERTICAL	HORIZONTAL
3-1/2	8.5 FL. OZ.	16.0 FL. OZ.	4.0 FL. OZ.	6.5 FL. OZ.
4	12.7 FL. OZ.	22.8 FL. OZ.	5.5 FL. OZ.	10.8 FL. OZ.
5	16.0 FL. OZ.	27.6 FL. OZ.	7.5 FL. OZ.	14.8 FL. OZ.



**INDUSTRIAL EQUIPMENT • MAJOR STOCKING DISTRIBUTOR**  
**ENGINEERING • SALES • SERVICE • PARTS**  
 242 POPLAR STREET • P.O. BOX 8053 • TOLEDO, OH 43805 • (419) 691-3571 • FAX (419) 691-1928  
 5091 WEST 164TH STREET • CLEVELAND, OHIO 44142 • (216) 285-0666 • FAX (216) 265-0667  
 1-800-882-1992 (OHIO TOLL FREE) 1-855-691-0621 (MICHIGAN TOLL FREE)  
 www.tomlinequip.com

No. REQ'D.	PART NAME	PATT. No. PART No.	MAT'L.



W - INLET & DISCHARGE  
 AD - SHEAVE WIDTH  
 AE - SHEAVE DIAMETER  
 ALL DIMENSIONS IN INCHES

## UNIVERSAL RAI-J DSL WHISP AIR BLOWER

FRAME SIZE	GD	A	B	C	D	D'	E MIN.	E MAX.	F MIN.	F MAX.	G	H	K	M	N	O	O'	P	R	U	KEYWAY	W NPT.	V	AA	AB	AD	AE	AF	APPROX. WT. LBS
33	3.50	7.25	7.63	12.13	5.00	5.00	2.50	2.88	3.00	3.25	.25	.44	1.75	3.97	2.28	12.81	10.00	10.00	6.75	.750	.188x.094	2"	1.63	5.00	6.06	1.91	5.00	12.13	87
36	"	"	10.00	14.63	"	"	"	"	4.18	4.44	"	"	"	5.16	2.40	"	10.50	1.00	"	"	"	2-1/2"	1.75	5.50	"	"	"	"	115
45	4.00	8.00	10.00	15.50	6.25	6.25	3.00	3.13	3.56	4.25	.31	.44	2.00	5.16	2.84	15.06	12.25	2.00	8.25	.875	.188x.094	2-1/2"	2.13	6.00	6.81	2.31	5.00	13.63	122
47	"	"	11.75	17.63	"	"	"	"	4.63	5.38	"	"	"	6.03	3.22	"	12.00	"	"	"	"	3"	2.50	6.00	"	"	"	"	141
56	5.00	10.50	11.00	17.50	6.25	6.75	3.50	3.50	4.25	5.00	.25	.50	1.88	5.84	3.34	17.38	14.00	14.50	8.75	1.125	.25x.125	4"	2.50	7.25	8.63	3.06	6.00	17.25	184

**CONFIDENTIAL**  
 THIS DOCUMENT CONTAINS CONFIDENTIAL INFORMATION OF DRESSER ROOTS, DRESSER, INC. IT SHALL BE HELD IN STRICTEST CONFIDENCE, AND BE USED ONLY IN CONJUNCTION WITH DRESSER ROOTS BUSINESS.

REF: EP938  
 □ FLATNESS  
 / ANGULARITY  
 // PARALLELISM  
 ⊕ TRUE POSITION  
 — STRAIGHTNESS

○ CONCENTRICITY  
 ⊥ PERPENDICULARITY  
 — PROFILE OF LINE  
 — PROFILE OF A SURFACE  
 ∅ DIAMETER  
 ✓ FINISH IN MICRO INCHES  
 /PARTS/XXAD

REV	DATE	BY	CHKD.	APP.

DATE: 08/15/03  
 DR. RK  
 CHKD. RK  
 APP. AGP  
 DBV  
 SCALE NTS  
 CAD FILE / DIRECTORY

**DO NOT SCALE FOR DIMENSIONS**  
 ALL DIMENSIONS SHOWN IN BRACKETS [ ] ARE MILLIMETERS

ORDER No. **ASSY DIM URAI J**  
**33, 45, 55 URAI DSL**

**ROOTS™**

DIMENSIONAL TOLERANCES UNLESS OTHERWISE SPECIFIED:  
 FINISHED DIMENSIONS  
 TWO PLACE DECIMALS (.XX) --- ±.015  
 THREE PLACE DECIMALS (.XXX) --- ±.008  
 FRACTIONAL --- 1/64

**T30411021**      REV