

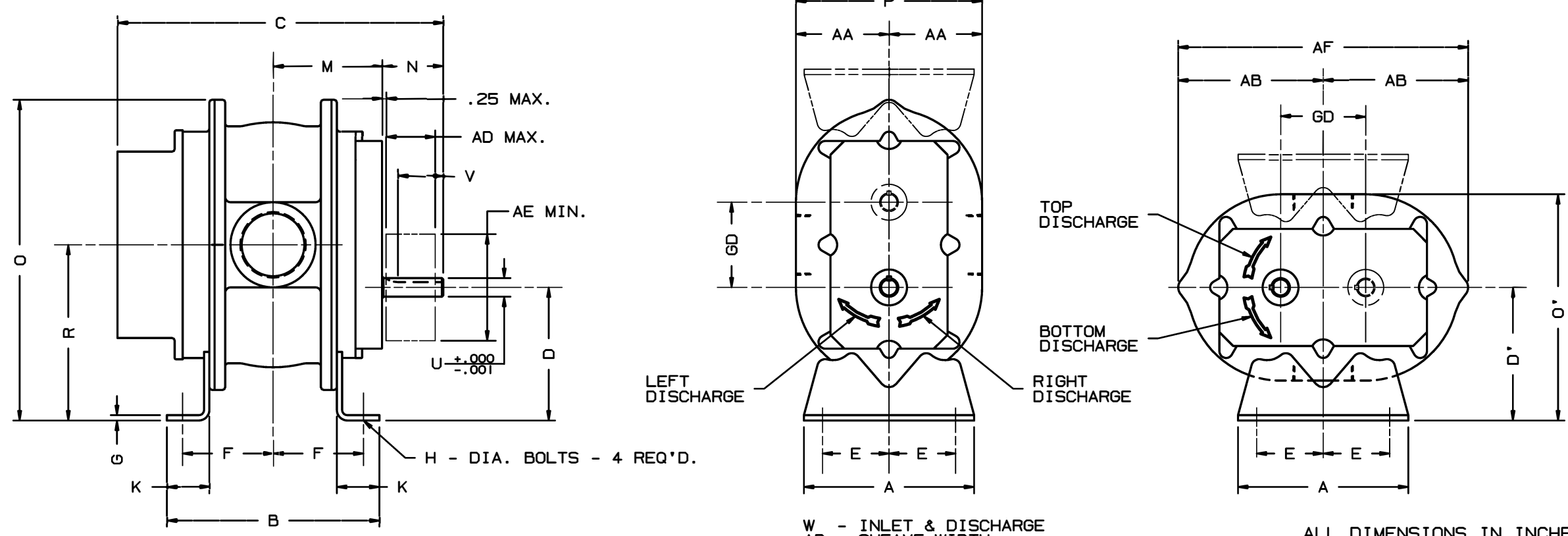
FRAME	APPROX. OIL CAPACITY			
	GEAR END SUMP		DRIVE END SUMP	
	VERTICAL	HORIZONTAL	VERTICAL	HORIZONTAL
3-1/2	8.5 FL. OZ.	16.0 FL. OZ.	4.0 FL. OZ.	6.5 FL. OZ.
4	12.7 FL. OZ.	22.8 FL. OZ.	5.5 FL. OZ.	10.8 FL. OZ.
5	16.0 FL. OZ.	27.6 FL. OZ.	7.5 FL. OZ.	14.8 FL. OZ.



INDUSTRIAL EQUIPMENT • MAJOR STOCKING DISTRIBUTOR
ENGINEERING • SALES • SERVICE • PARTS

242 POPLAR STREET • P.O. BOX 8053 • TOLEDO, OH 43605 • (419) 691-3571 • FAX (419) 691-1928
5091 WEST 164TH STREET • CLEVELAND, OHIO 44142 • (216) 265-0666 • FAX (216) 265-0667
1-800-882-1992 (OHIO TOLL FREE) 1-855-691-0621 (MICHIGAN TOLL FREE)
www.tomlinequip.com

No. REQ'D.	PART NAME	PATT. No. PART No.	MAT'L.



UNIVERSAL[®] RAI DSL BLOWER

FRAME SIZE	GD	A	B	C	D	D'	E MIN.	E MAX.	F MIN.	F MAX.	G	H	K	M	N	O	O'	P	R	U	KEYWAY	W NPT.	V	AA	AB	AD	AE	AF	APPROX. WT. LBS
32	3.50	7.25	6.75	11.25	5.00	5.00	2.50	2.88	2.56	2.81	.25	.44	1.75	3.53	2.28	12.81	8.88	7.75	6.75	.750	.188x.094	-1/4"	1.63	3.88	6.06	1.91	5.00	12.13	72
33	"	"	7.63	12.13	"	"	"	"	3.00	3.25	"	"	"	3.97	"	"	"	"	"	"	"	2"	"	"	"	"	"	"	77
36	"	"	10.00	14.63	"	"	"	"	4.18	4.44	"	"	"	5.16	2.40	"	"	"	"	"	"	2-1/2"	1.75	"	"	"	"	"	105
42	4.00	8.00	7.25	13.00	6.25	6.25	3.00	3.13	2.50	3.13	.31	.44	2.00	3.78	3.09	15.06	10.63	8.75	8.25	.875	.188x.094	-1/2"	2.31	4.38	6.81	2.31	5.00	13.63	92
45	"	"	10.00	15.50	"	"	"	"	3.56	4.25	"	"	"	5.16	2.84	"	"	"	"	"	"	2-1/2"	2.13	"	"	"	"	"	113
47	"	"	11.75	17.63	"	"	"	"	4.63	5.38	"	"	"	6.03	3.22	"	10.50	8.50	"	"	"	3"	2.50	4.25	"	"	"	"	132
53	5.00	10.50	8.38	15.38	6.25	6.75	3.50	3.50	3.18	3.68	.25	.50	1.88	4.53	3.66	17.38	11.88	10.25	8.75	1.125	.25 x .125	2-1/2"	2.75	5.13	8.63	3.06	6.00	17.25	148
56	"	"	11.00	17.50	"	"	"	"	4.25	5.00	"	"	"	5.84	3.34	"	12.25	11.00	"	"	"	4"	2.50	5.50	"	"	"	"	175
59	"	"	14.00	21.00	"	"	"	"	6.00	6.50	"	"	"	7.34	3.84	"	"	"	"	"	"	4"	3.00	"	"	"	"	"	209

MFG. REF.	DATE	DO NOT SCALE FOR DIMENSIONS ALL DIMENSIONS SHOWN IN BRACKETS [] ARE MILLIMETERS	ORDER No.				
<p>CONFIDENTIAL</p> <p>THIS DOCUMENT CONTAINS CONFIDENTIAL INFORMATION OF DRESSER ROOTS, DRESSER, INC. IT SHALL BE HELD IN STRICTEST CONFIDENCE, AND BE USED ONLY IN CONJUNCTION WITH DRESSER ROOTS BUSINESS.</p>	DR. RK	06/06/03	<p>ASSY DIM 32-59 URAI DSL VH</p>				
	CHKD. RK	06/06/03					
	APP. AGP	08/18/03					
	DBV						
<p>REF: EP938</p> <p>□ FLATNESS</p> <p>∠ ANGULARITY</p> <p>// PARALLELISM</p> <p>⊕ TRUE POSITION</p> <p>— STRAIGHTNESS</p>		<p>CONCENTRICITY</p> <p>⊥ PERPENDICULARITY</p> <p>— PROFILE OF LINE</p> <p>— PROFILE OF A SURFACE</p> <p>∅ DIAMETER</p> <p>✓ FINISH IN MICRO INCHES</p> <p>/PARTS/XXAD 62795a21</p>	<p>DIMENSIONAL TOLERANCES UNLESS OTHERWISE SPECIFIED FINISHED DIMENSIONS</p> <p>THREE PLACE DECIMALS (.XXX)---±0.015</p> <p>FRACTIONAL---±.005</p>				
REVISIONS	BY	DATE	CHANGE NOTICE	CHKD.	APP	<p>T30355021</p> <p>REV</p>	