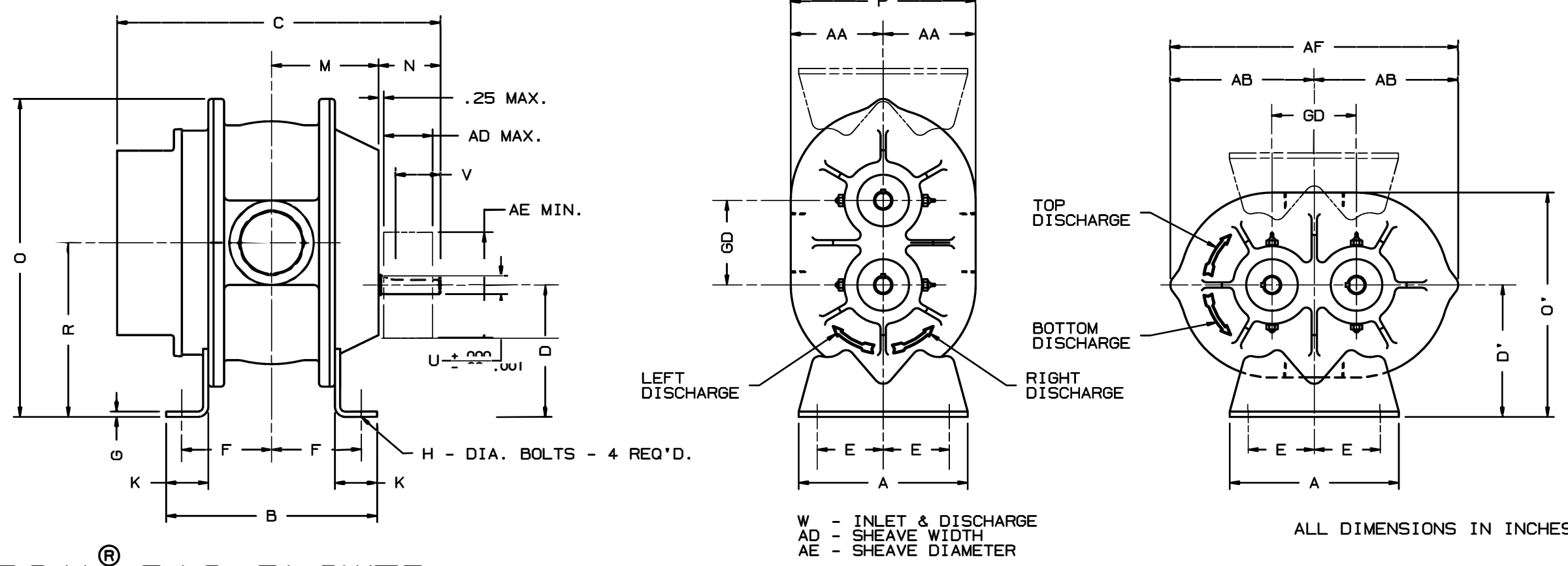


FRAME	APPROX. OIL CAPACITY	
	VERTICAL	HORIZONTAL
2-1/2	3.4 FL. OZ.	6.1 FL. OZ.
3-1/2	8.5 FL. OZ.	16 FL. OZ.
4	12.7 FL. OZ.	22.8 FL. OZ.
5	16.0 FL. OZ.	27.6 FL. OZ.



INDUSTRIAL EQUIPMENT • MAJOR STOCKING DISTRIBUTOR
ENGINEERING • SALES • SERVICE • PARTS
 242 POPLAR STREET • P.O. BOX 8053 • TOLEDO, OH 43605 • (419) 691-3571 • FAX (419) 691-1928
 5091 WEST 164TH STREET • CLEVELAND, OHIO 44142 • (216) 265-0666 • FAX (216) 265-0667
 1-800-882-1992 (OHIO TOLL FREE) 1-855-691-0621 (MICHIGAN TOLL FREE)
 www.tomlinequip.com

No. REQ'D.	PART NAME	PATT. No. PART No.	MAT'L.



UNIVERSAL[®] RAI BLOWER

FRAME SIZE	GD	A	B	C	D	D'	E MIN.	E MAX.	F MIN.	F MAX.	G	H	K	M	N	O	O'	P	R	U	KEYWAY	W NPT.	V	AA	AB	AD	AE	AF	APPROX. WT. LBS
22	2.5	5.13	5.00	9.75	3.75	3.75	1.50	2.00	2.00	2.00	.25	.38	1.25	2.63	2.50	9.63	6.88	6.25	5.00	.625	.188x.094	1"	1.81	3.13	4.63	1.75	4.00	9.25	32
24	"	"	7.00	11.75	"	"	"	"	3.00	3.00	"	"	"	3.63	"	"	"	"	"	"	"	2"	"	"	"	"	"	"	43
32	3.50	7.25	6.75	11.25	5.00	5.00	2.50	2.88	2.56	2.81	.25	.44	1.75	3.38	2.44	12.81	8.88	7.75	6.75	.750	.188x.094	1-1/4"	1.63	3.88	6.06	1.91	5.00	12.13	69
33	"	"	7.63	12.13	"	"	"	"	3.00	3.25	"	"	"	3.81	"	"	"	"	"	"	"	2"	"	"	"	"	"	"	74
36	"	"	10.00	14.63	"	"	"	"	4.18	4.44	"	"	"	5.00	2.56	"	"	"	"	"	"	2-1/2"	1.75	"	"	"	"	"	102
42	4.00	8.00	7.25	13.00	6.25	6.25	3.00	3.13	2.50	3.13	.31	.44	2.00	3.68	3.18	15.06	10.63	8.75	8.25	.875	.188x.094	1-1/2"	2.31	4.38	6.81	2.31	5.00	13.63	88
45	"	"	10.00	15.50	"	"	"	"	3.56	4.25	"	"	"	5.06	2.94	"	"	"	"	"	"	2-1/2"	2.13	"	"	"	"	"	109
47	"	"	11.75	17.63	"	"	"	"	4.63	5.38	"	"	"	5.94	3.31	"	10.50	8.50	"	"	"	3"	2.50	4.25	"	"	"	128	
53	5.00	10.50	8.38	15.38	6.25	6.75	3.50	3.50	3.18	3.68	.25	.50	1.88	4.50	3.68	17.38	11.88	10.25	8.75	1.125	.25 x .125	2-1/2"	2.75	5.13	8.63	3.06	6.00	17.25	143
56	"	"	11.00	17.50	"	"	"	"	4.25	5.00	"	"	"	5.81	3.38	"	12.25	11.00	"	"	"	4"	2.50	5.50	"	"	"	170	
59	"	"	14.00	21.00	"	"	"	"	6.00	6.50	"	"	"	7.31	3.88	"	"	"	"	"	"	4"	3.00	"	"	"	"	204	

MFG. REF.	DATE	DO NOT SCALE FOR DIMENSIONS ALL DIMENSIONS SHOWN IN BRACKETS [] ARE MILLIMETERS	ORDER No.	
CONFIDENTIAL THIS DOCUMENT CONTAINS CONFIDENTIAL INFORMATION OF ROOTS DIVISION, Dresser Industries, Inc. IT SHALL BE HELD IN STRICTEST CONFIDENCE, AND BE USED ONLY IN CONJUNCTION WITH ROOTS DIVISION BUSINESS.	DR. DB	8/29/84	ASSY DIM 22-59 URAI VH 	
	E	REVISION ON "C" FROM 18.00 TO 17.50		CHKD.
	D	UPDATED TITLE BLOCK 9/25/91		APP. FCR
	C	CORRECTED FRAME 36 REM 8/14/90		DBV
	B	ADDED FRAME 32 RVE 6/22/90		SCALE
A	REV. FRAM 59 REM 6/9/88	CAD FILE / DIRECTORY		
REF: EP938	CONCENTRICITY	FINISHED DIMENSIONS	REV	
□ FLATNESS	⊥ PERPENDICULARITY	TWO PLACE DECIMALS (.XX)---±.015	62795021	
∠ ANGULARITY	— PROFILE OF LINE	THREE PLACE DECIMALS (.XXX)---±.005		
// PARALLELISM	△ PROFILE OF A SURFACE	FRACTIONAL---±1/64	E	
⊕ TRUE POSITION	∅ DIAMETER			
— STRAIGHTNESS	✓ FINISH IN MICRO INCHES			
	✓ PARTS/XXAD 62795a21			