

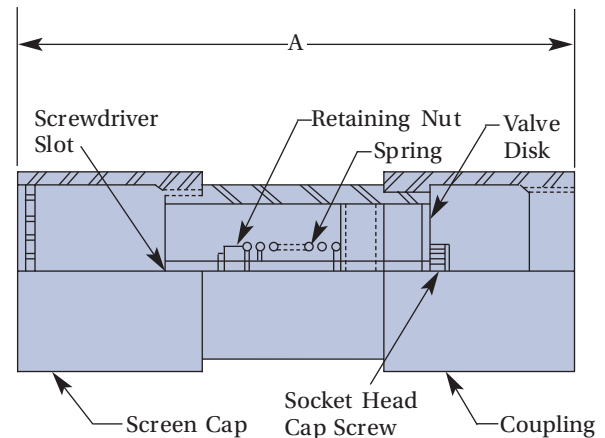
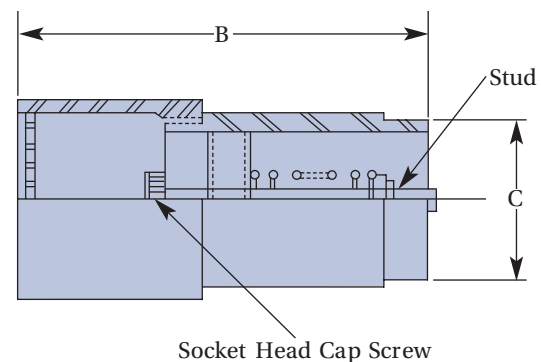
Blower Accessories Relief Valves

Spencer relief valves are designed to protect Vortex blowers from overheating in a blocked-off mode during vacuum or pressure operation. Follow the instructions furnished with each valve for adjustment procedures; avoid settings that involve blower operation beyond full load amperage of the motor as indicated on nameplate. No relief valve is required for the smallest Vortex blowers—Models VB001 and VB002 in vacuum service, Model VB001 in pressure service.



Pressure Relief Valves

Blower Model	Part No.	*Max. Press. "H ₂ O		MPT Pipe Size, in.
		60 Hz	50Hz	
VB002	VLV90320	40	27	1½
VB003	VLV90320	44	30	1½
VB004	VLV90320	43	30	1½
VB007	VLV90314	51	35	1½
VB019	VLV90314	76	52	1½
VB030	VLV90316	94	63	2
VB037	VLV90316	88	66	2
VB055	VLV90316	78	68	2
VB075	VLV90321	106	87	2½
VB110	VLV90321	102	94	2½



Vacuum Relief Valves

Blower Model	Part No.	*Max. Vac. "H ₂ O		FPT Pipe Size, in.
		60 Hz	50Hz	
VB003	VLV90315	40	28	1½
VB004	VLV90313	40	28	1½
VB007	VLV90313	45	32	1½
VB019	VLV90313	64	46	1½
VB030	VLV90317	76	57	2
VB037	VLV90317	79	57	2
VB055	VLV90317	81	58	2
VB075	VLV90318	98	72	2½
VB110	VLV90318	104	76	2½

*Adjustment required.

Blower Models	Dimensions, inches		
	A	B	C (NPT)
VB002, 003, 004, 007, 019	6¼	4 ¹¹ / ₁₆	1½
VB030, 037, 055	6¼	4 ¹¹ / ₁₆	2
VB075, 110	9¾	6¾	2½