

VB110

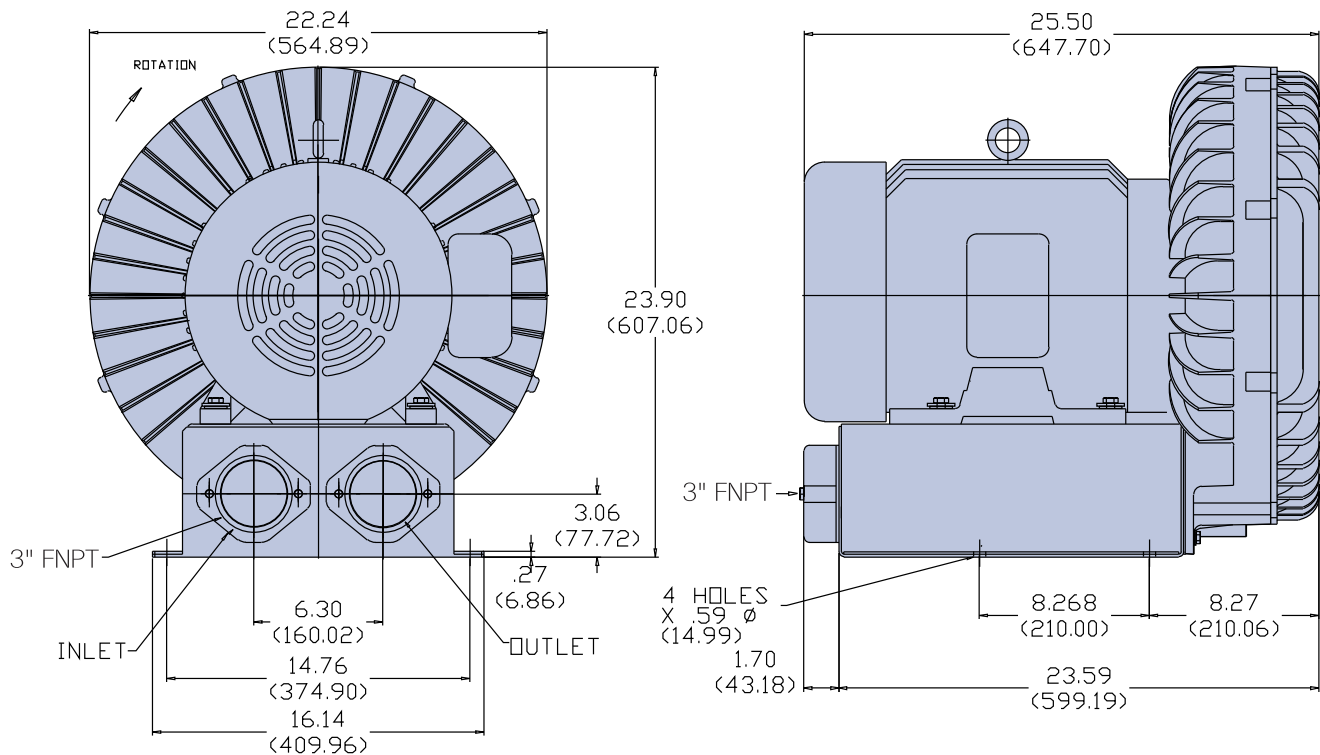
Three Phase TEFC Motor

- Flow to 645 cfm
- 15 hp
- NEMA Class F Insulation
- CE, UL Listed, CSA Certified Motor



DIMENSIONS

Inches
(Millimeters)



VB110

Three Phase TEFC Motor

SPECIFICATIONS

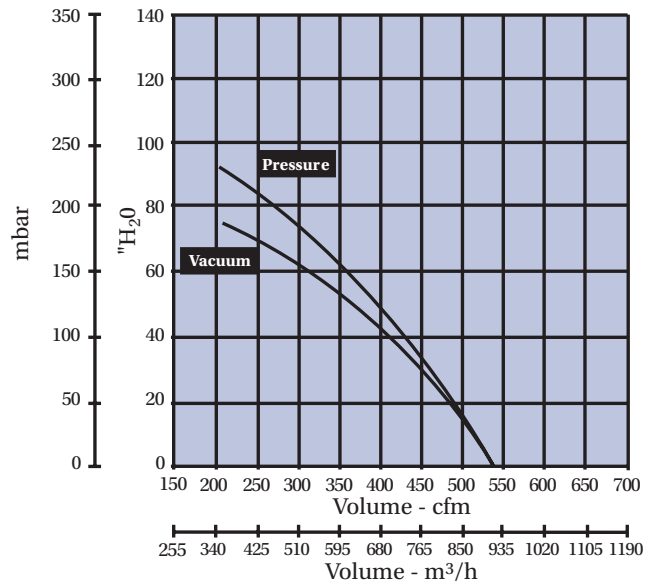
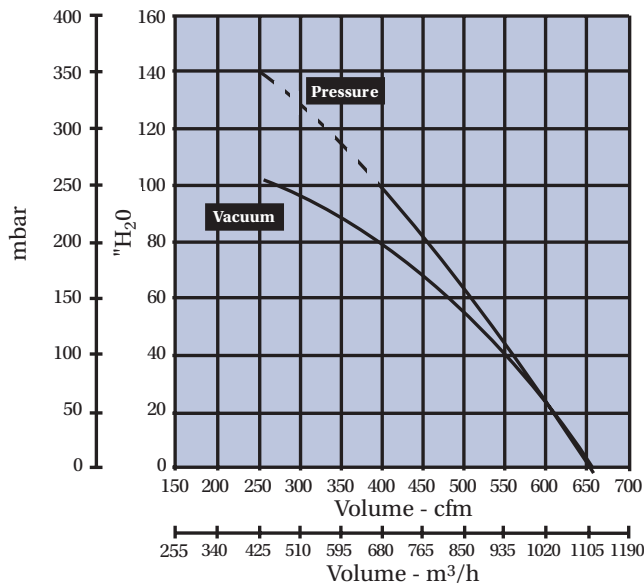
Model No.	Freq	Maximum Volume		Maximum Operating Pressure		Maximum Operating Vacuum			Standard Voltage	FLA Current	Locked Rotor Current	Speed	Estimated Acoustical Noise Level	Weight	
		cfm	m ³ h	"H ₂ O	mbar	"H ₂ O	mbar	hp						Volts	Amperes
VB110	60	645	1096	102	254.1	104	259.1	15	200-230/460,3Ø	38.5-35/17.5	250.4-288/144	3490	80dba@60Hz	370	168
	50	538	914.2	94	234.2	76	189.3	12.5	190/380-415,3Ø	35.2/17.6-16.6	276/138-126.4	2880		370	168

Maximum Ambient Temperature: 104°F/40°C. Maximum Internal Motor Temperature: 311°F/155°C.

PERFORMANCE

60Hz

50Hz



Note: Dimensions, specifications and performance data are subject to change without notice. Contact factory for latest information.