

VB075

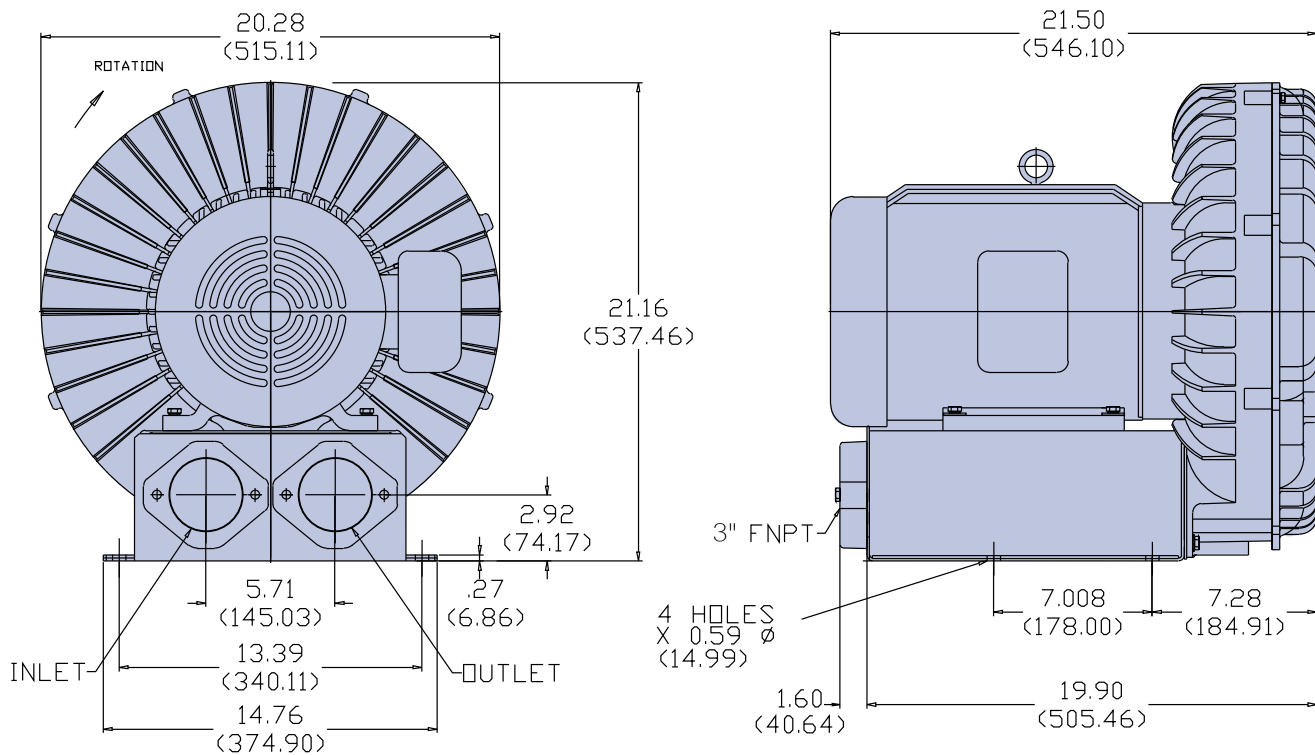
Three Phase TEFC Motor

- Flow to 495 cfm
- 10 hp
- NEMA Class F Insulation
- CE, UL Listed, CSA Certified Motor



DIMENSIONS

Inches
(Millimeters)



VB075

Three Phase TEFC Motor

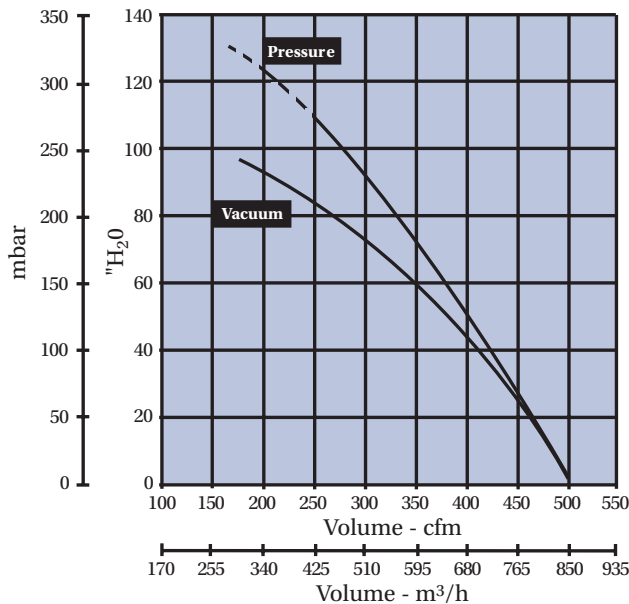
SPECIFICATIONS

Model No.	Freq	Maximum Volume		Maximum Operating Pressure		Maximum Operating Vacuum		hp	Standard Voltage	FLA Current	Locked Rotor Current	Speed	Estimated Acoustical Noise Level	Weight	
		cfm	m ³ /h	"H ₂ O	mbar	"H ₂ O	mbar							lb	kg
VB075	60	495	841.1	106	264	98	244.1	10	200-230/460,3Ø	27.5-27.2/13.6	197.6-227.2/113.6	3450	81 dba@60Hz	265	120.3
	50	412	700	87	216.7	72	179.4	8.3	190/380-415,3Ø	27/13.5-14.5	218/109-99.8	2850		265	120.3

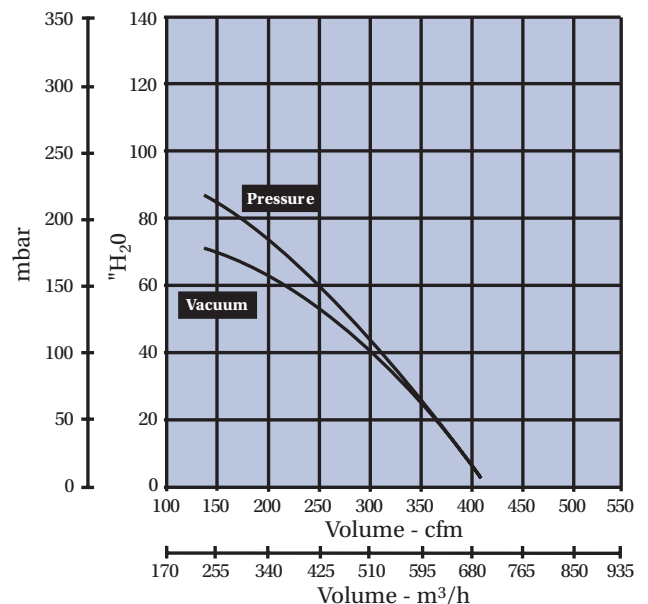
Maximum Ambient Temperature: 104°F/40°C. Maximum Internal Motor Temperature: 311°F/155°C.

PERFORMANCE

60Hz



50Hz



Note: Dimensions, specifications and performance data are subject to change without notice. Contact factory for latest information.