

VB055

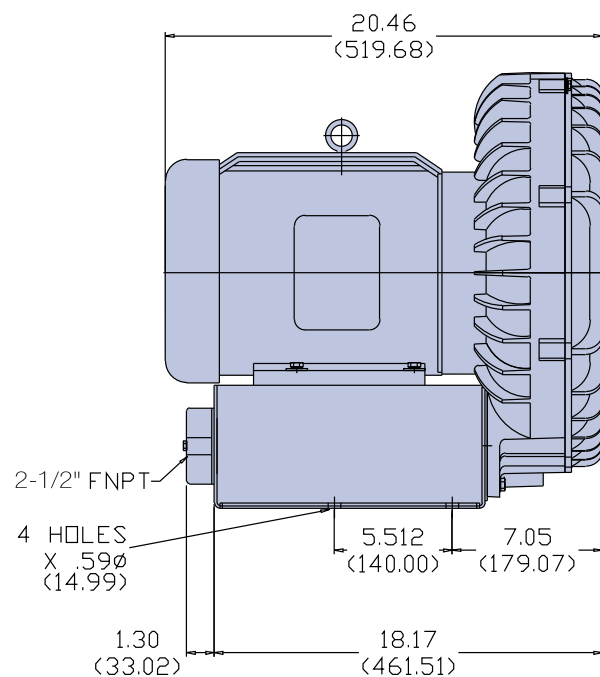
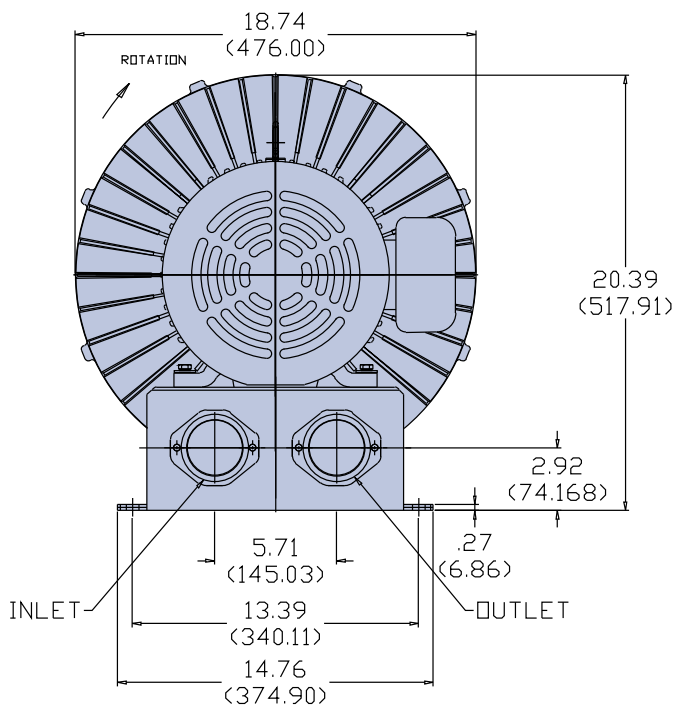
Three Phase TEFC Motor

- Flow to 370 cfm
- 7½ hp
- NEMA Class F Insulation
- CE, UL Listed, CSA Certified Motor



DIMENSIONS

Inches
(Millimeters)



VB055

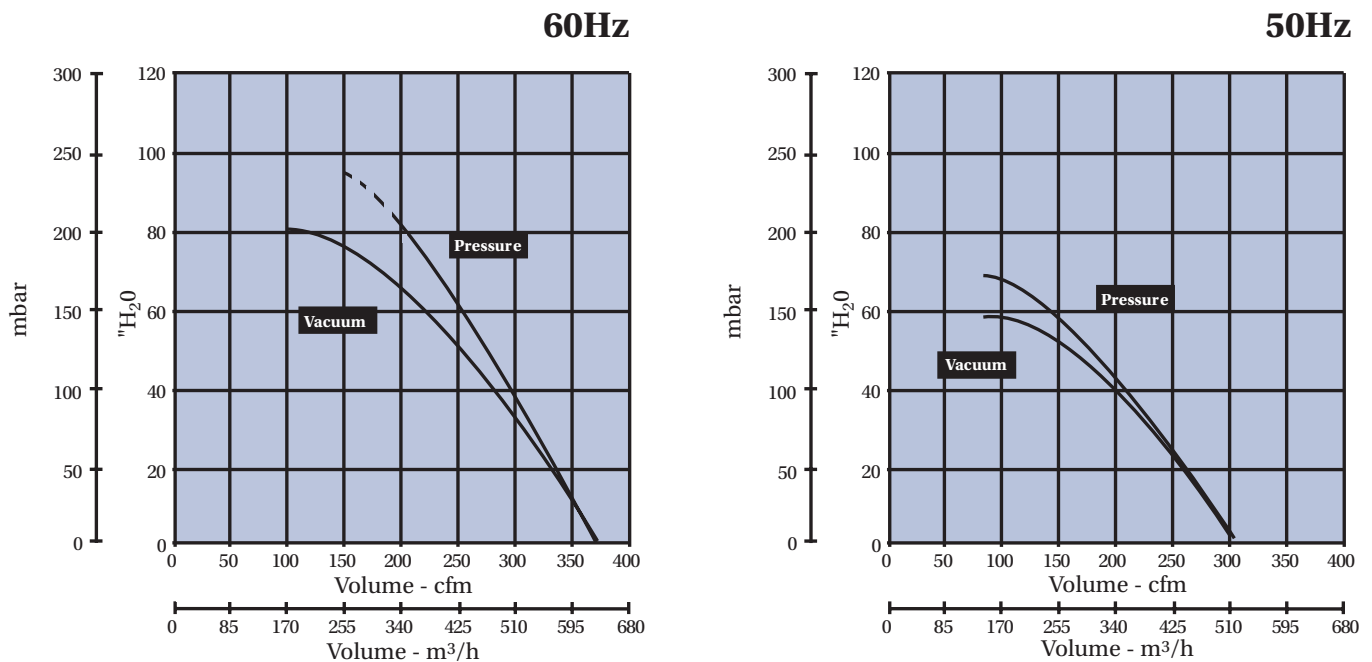
Three Phase TEFC Motor

SPECIFICATIONS

Model No.	Freq	Maximum Volume		Maximum Operating Pressure		Maximum Operating Vacuum		hp	Standard Voltage	FLA Current	Locked Rotor Current	Speed	Estimated Acoustical Noise Level	Weight	
		cfm	m ³ h	"H ₂ O	mbar	"H ₂ O	mbar							lb	kg
VB055	60	370	628.7	78	194.3	81	201.8	7.5	200-230/460,3Ø	20.8-19/9.5	125.2-144/72	3480	82dba@60Hz	250	113.5
	50	307	521.7	68	169.4	58	144.5	6.25	190/380-415,3Ø	19.2/9.6-9.4	138/69 63.2	2880		250	113.5

Maximum Ambient Temperature: 104°F/40°C. Maximum Internal Motor Temperature: 311°F/155°C.

PERFORMANCE



Note: Dimensions, specifications and performance data are subject to change without notice. Contact factory for latest information.