

VB030S, VB030

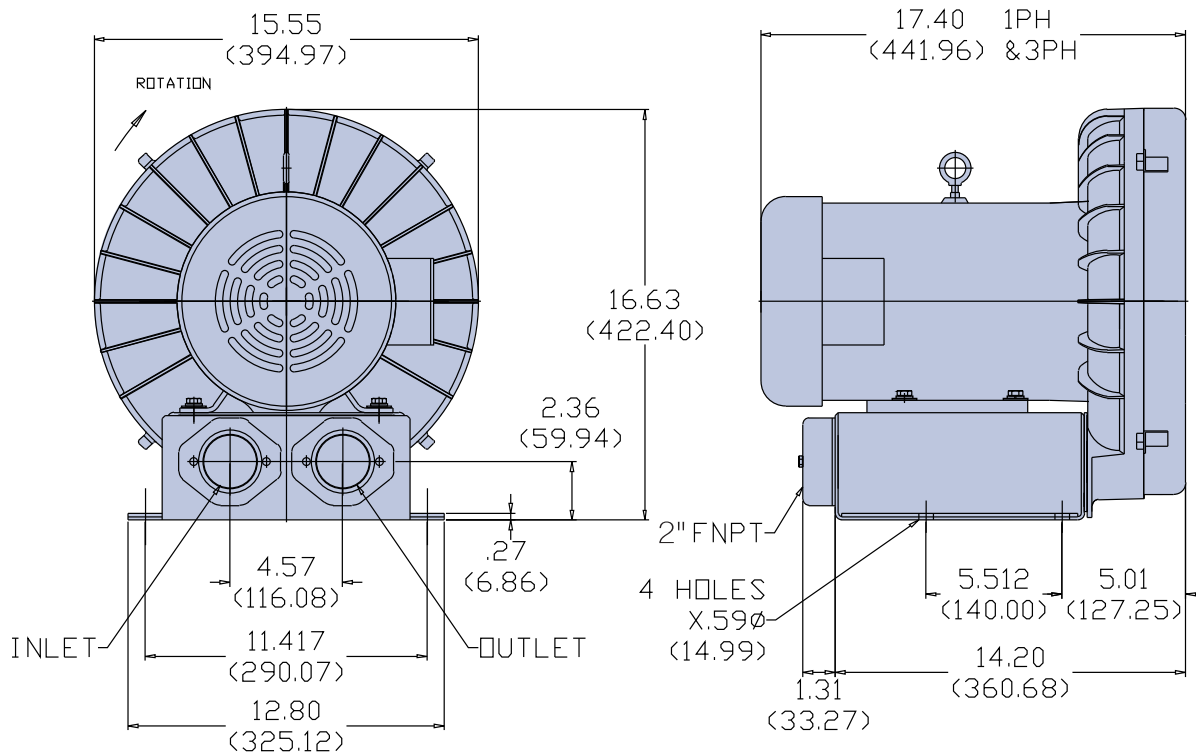
Single Phase or Three Phase TEFC Motor

- Flow to 210 cfm
- 4 hp
- NEMA Class F Insulation
- CE, UL Listed, CSA Certified Motor



DIMENSIONS

Inches
(Millimeters)



VB030S, VB030

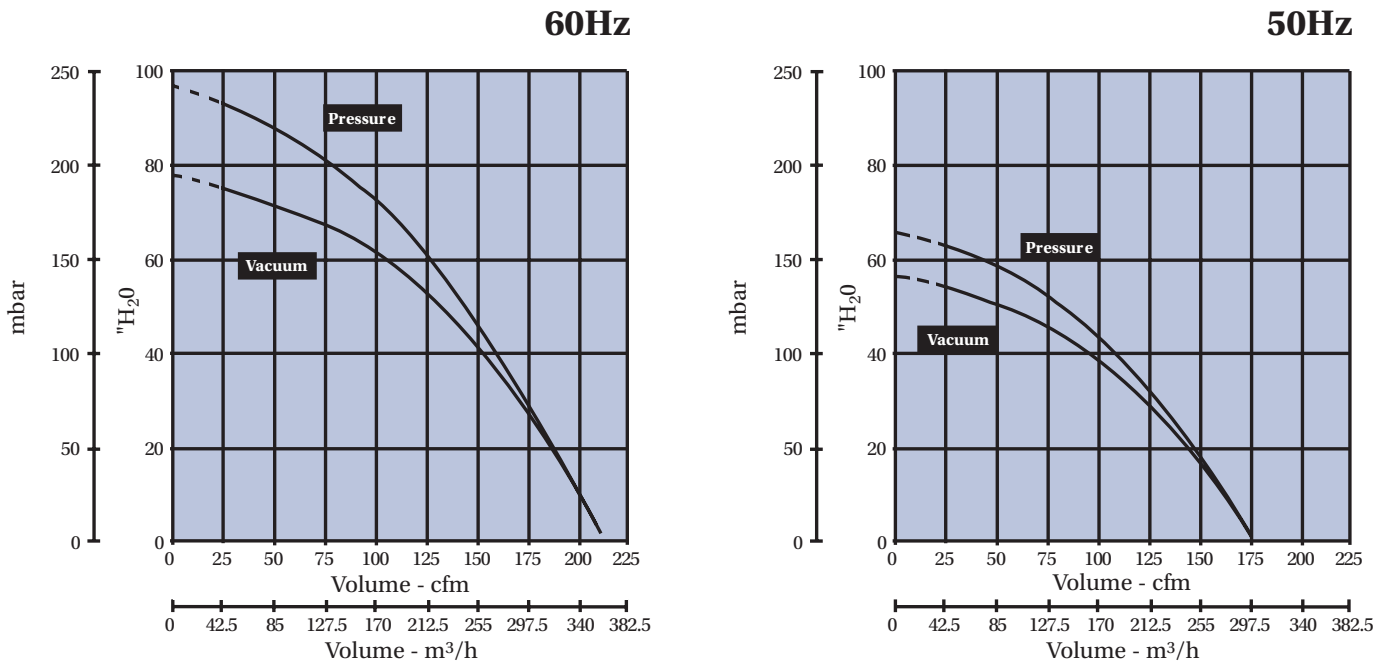
Single Phase or Three Phase TEFC Motor

SPECIFICATIONS

Model No.	Freq	Maximum Volume		Maximum Operating Pressure		Maximum Operating Vacuum		hp	Standard Voltage	FLA Current	Locked Rotor Current	Speed	Estimated Acoustical Noise Level	Weight	
		cfm	m ³ h	"H ₂ O	mbar	"H ₂ O	mbar							lb	kg
VB030S	60	210	356.8	94	234.2	76	189.3	4	115/208-230, 1Ø	34.8/18.5-17.4	210/95-105	3450	71dba@60Hz	133	60.4
	50	175	297.4	63	156.9	57	142	3.3	100-110/220, 1Ø	42-38.6/19.3	176-194/97	2850		133	60.4
VB030	60	210	356.8	94	234.2	76	189.3	4	208-230/460, 3Ø	10.6-9.6/4.8	101.3-112/56	3450	73dba@60Hz	106	48.1
	50	175	297.4	63	156.9	57	142	3.4	190/380-415, 3Ø	9.8/4.9-4.8	102.6/51.3-47	2875		106	48.1

Maximum Ambient Temperature: 104°F/40°C. Maximum Internal Motor Temperature: 311°F/155°C.

PERFORMANCE



Note: Dimensions, specifications and performance data are subject to change without notice. Contact factory for latest information.