

VB019S, VB019

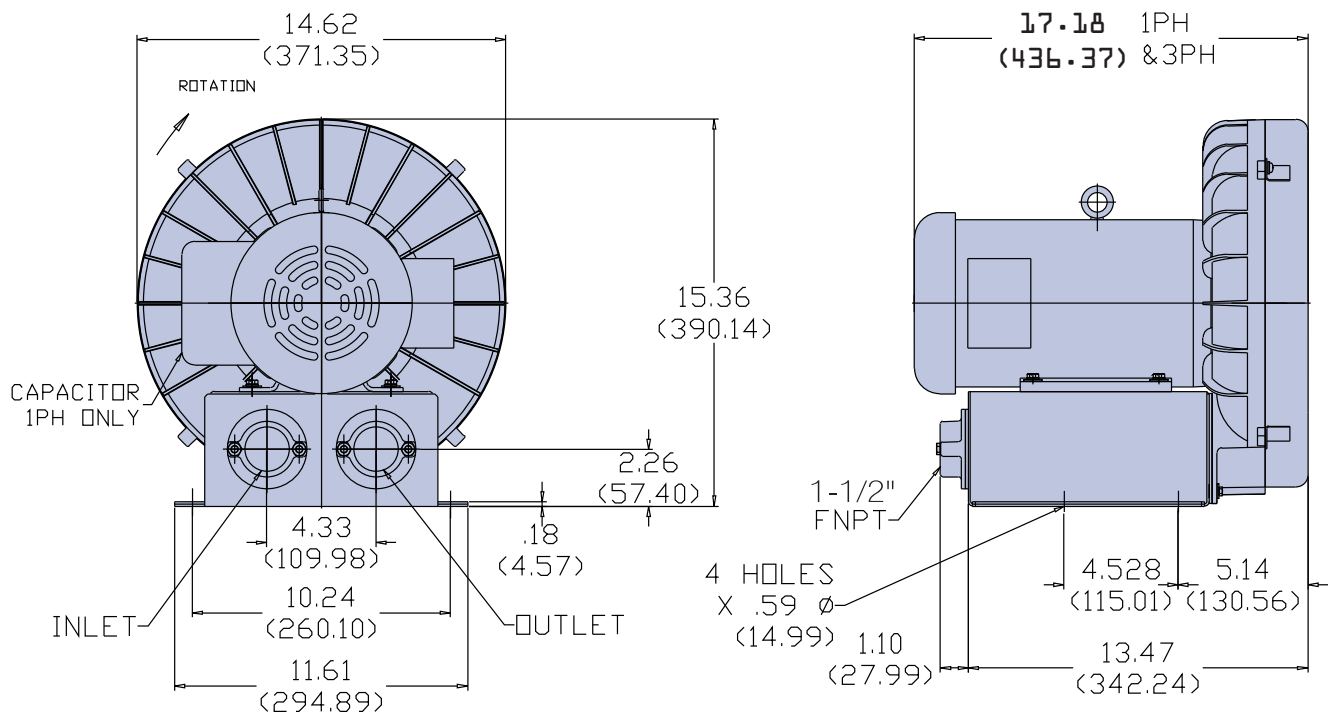
Single Phase or Three Phase TEFC Motor

- Flow to 160 cfm
- 2½ hp
- NEMA Class F Insulation
- CE, UL Listed, CSA Certified Motor



DIMENSIONS

Inches
(Millimeters)



VB019S, VB019

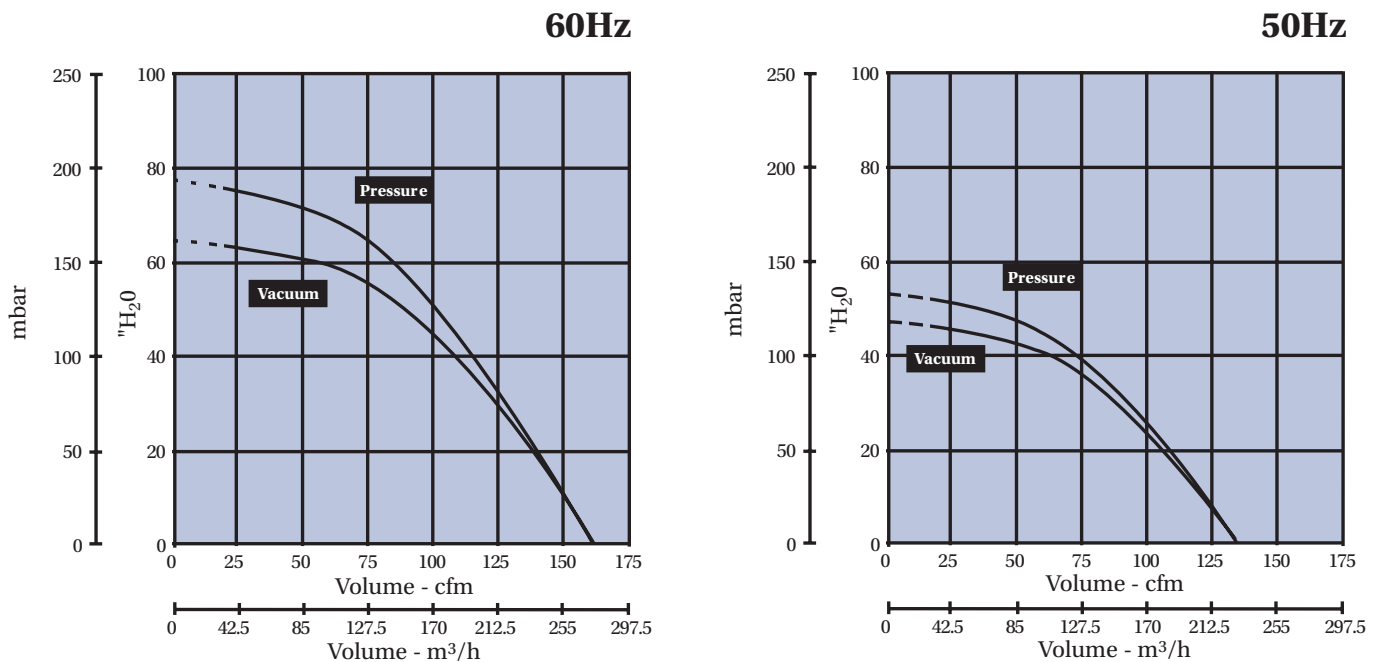
Single Phase or Three Phase TEFC Motor

SPECIFICATIONS

| Model No. | Freq | Maximum Volume | | Maximum Operating Pressure | | Maximum Operating Vacuum | | hp | Standard Voltage | FLA Current | Locked Rotor Current | Speed | Estimated Acoustical Noise Level | Weight | |
|-----------|------|----------------|------------------|----------------------------|-------|--------------------------|-------|-----|------------------|-------------|----------------------|-------|----------------------------------|--------|---------|
| | | cfm | m ³ h | "H ₂ O | mbar | "H ₂ O | mbar | | | | | | | Volts | Amperes |
| VB019S | 60 | 160 | 271.9 | 76 | 189.3 | 64 | 159.4 | 2.5 | 115/208-230, 1Ø | 22/11.5-11 | 138/62.4-69 | 3450 | 70dba@60Hz | 90 | 40.9 |
| | 50 | 133 | 226 | 52 | 129.5 | 46 | 114.6 | 2.1 | 100-110/220, 1Ø | 22-21/10.5 | 122.7-135/67.5 | 2850 | | 90 | 40.9 |
| VB019 | 60 | 160 | 271.9 | 76 | 189.3 | 64 | 159.4 | 2.5 | 200-230/460,3Ø | 6.6-6/3 | 47-54/27 | 3450 | 73dba@60Hz | 85 | 38.6 |
| | 50 | 133 | 226 | 52 | 129.5 | 46 | 114.6 | 2.1 | 190/380-415,3Ø | 6.2-3.1/2.9 | 55.7/27.8-25.5 | 2900 | | 85 | 38.6 |

Maximum Ambient Temperature: 104°F/40°C. Maximum Internal Motor Temperature: 311°F/155°C.

PERFORMANCE



Note: Dimensions, specifications and performance data are subject to change without notice. Contact factory for latest information.