

VB007S, VB007

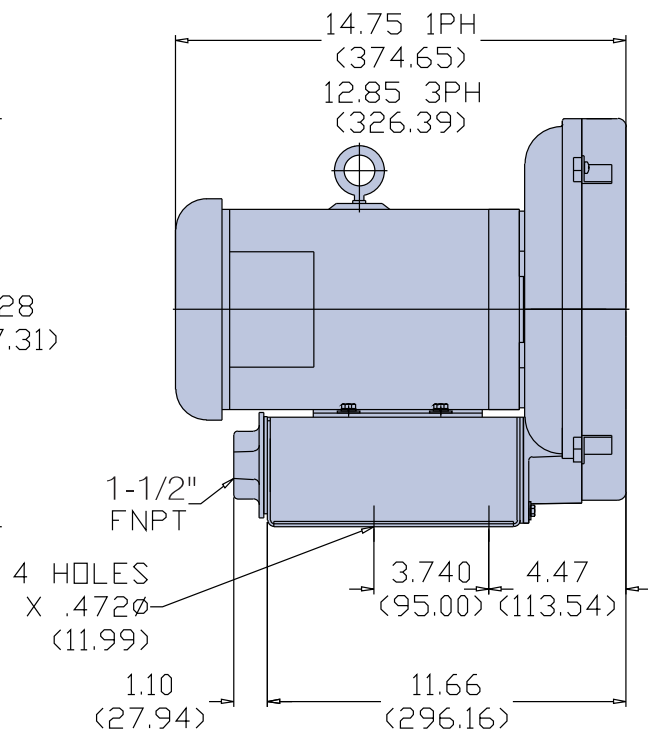
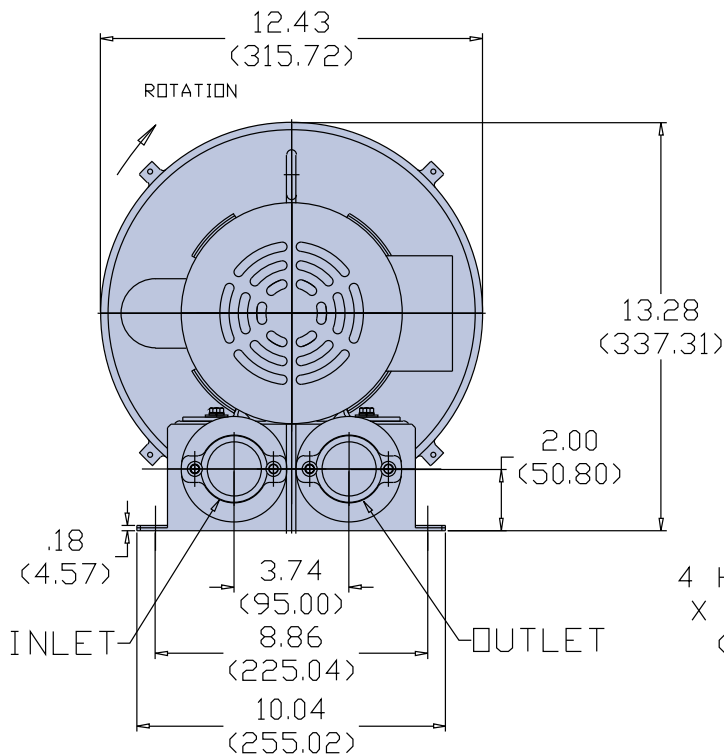
Single Phase or Three Phase TEFC Motor

- Flow to 107 cfm
- 1½ hp
- NEMA Class F Insulation
- CE, UL Listed, CSA Certified Motor



DIMENSIONS

Inches
(Millimeters)



VB007S, VB007

Single Phase or Three Phase TEFC Motor

SPECIFICATIONS

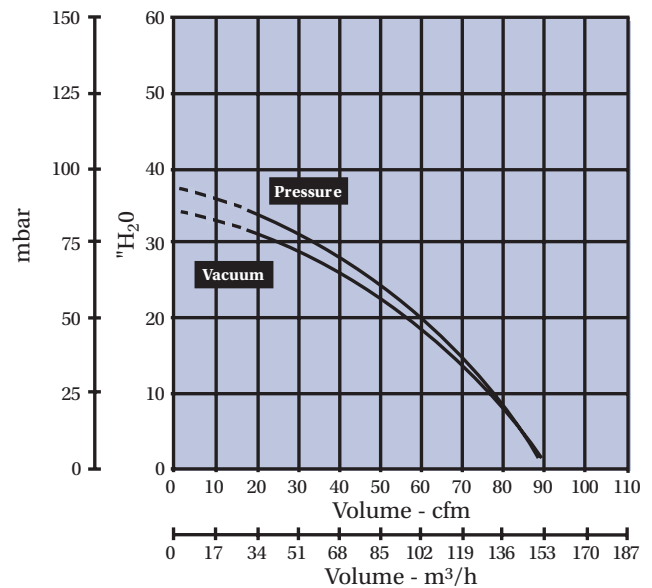
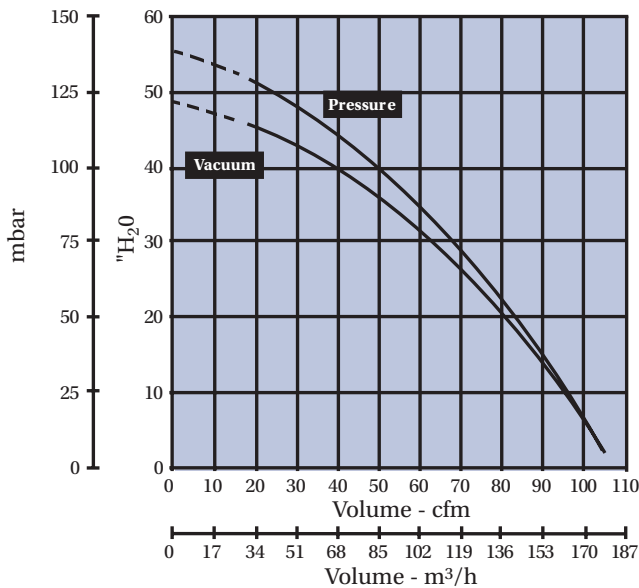
Model No.	Freq	Maximum Volume		Maximum Operating Pressure		Maximum Operating Vacuum		hp	Standard Voltage	FLA Current	Locked Rotor Current	Speed	Estimated Acoustical Noise Level @ 1.5m	Weight	
		cfm	m ³ h	"H ₂ O	mbar	"H ₂ O	mbar		Volts	Amperes	Amperes			lb	kg
VB007S	60	107	181.8	51	127	45	112.1	1.5	115/230, 1Ø	13.4/6.7	97.8/49	3450	70dba@60Hz	65	29.5
	50	89	151.2	35	87.2	32	79.7	1.5	110/220, 1Ø	15.4/7.7	102.3/51	2850		65	29.5
VB007	60	107	181.8	51	127	45	112.1	1.5	200-230/460,3Ø	4.4/3.8-1.9	41-35.7/18	3470	64dba@60Hz	50	22.7
	50	89	151.2	35	87.2	32	79.7	1.25	190/380-415,3Ø	3.4/1.7-1.9	48.3/24-22	2890		50	22.7

Maximum Ambient Temperature: 104°F/40°C. Maximum Internal Motor Temperature: 311°F/155°C.

PERFORMANCE

60Hz

50Hz



Note: Dimensions, specifications and performance data are subject to change without notice. Contact factory for latest information.