

# VB004S, VB004

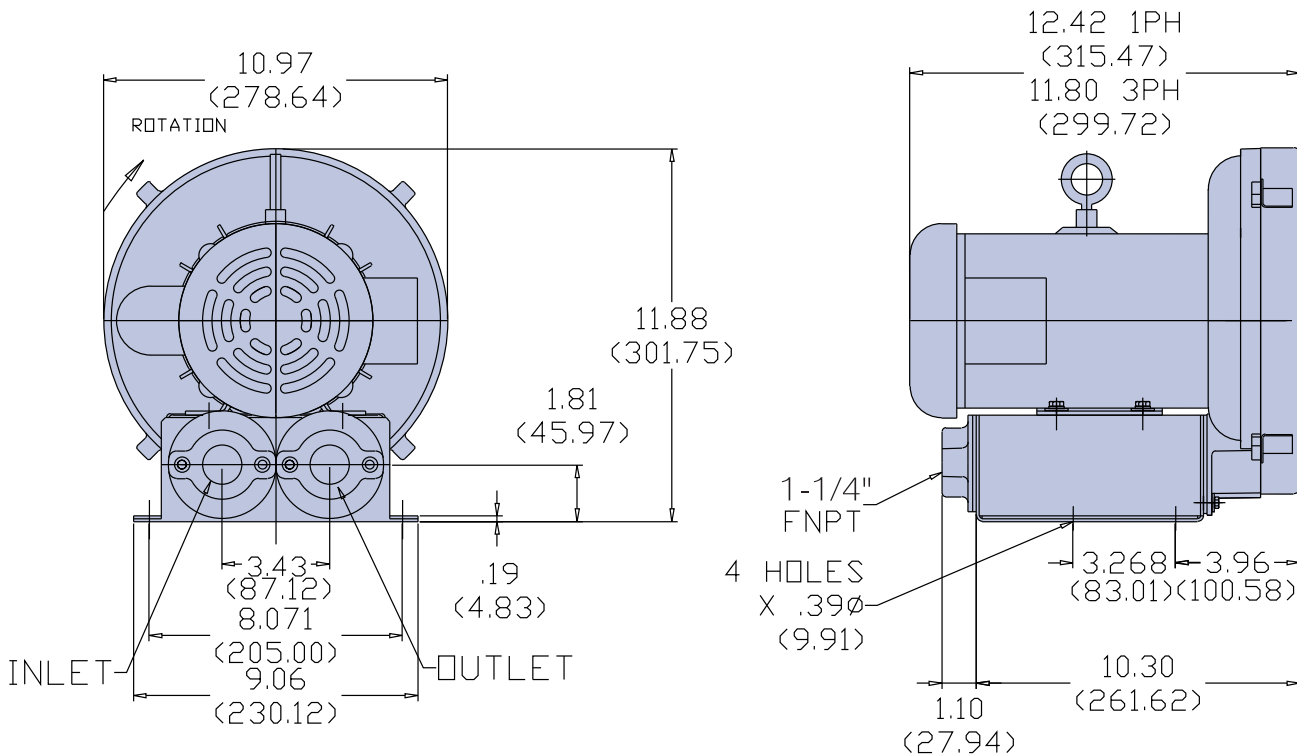
## Single Phase or Three Phase TEFC Motor

- Flow to 72 cfm
- ¾ hp
- NEMA Class F Insulation
- CE, UL Listed, CSA Certified Motor



### DIMENSIONS

Inches  
(Millimeters)



# VB004S, VB004

## Single Phase or Three Phase TEFC Motor

### SPECIFICATIONS

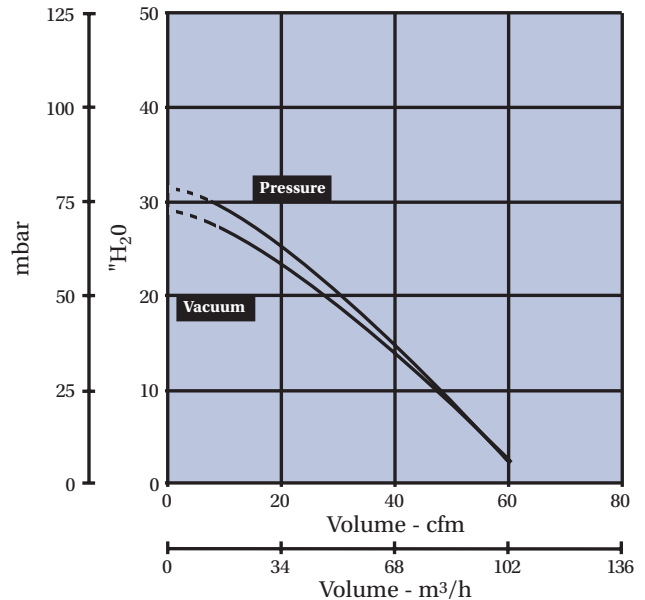
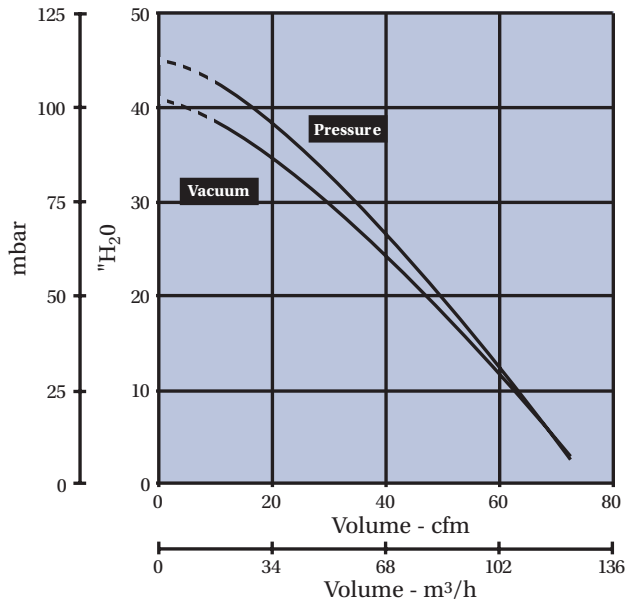
Model No.	Freq	Maximum Volume		Maximum Operating Pressure		Maximum Operating Vacuum		hp	Standard Voltage	FLA Current	Locked Rotor Current	Speed	Estimated Acoustical Noise Level @ 1.5m	Weight	
		cfm	m <sup>3</sup> h	"H <sub>2</sub> O	mbar	"H <sub>2</sub> O	mbar							lb	kg
VB004S	60	72	122.3	43.5	108.4	39.7	98.9	.75	115/208-230, 1Ø	9.6/5-4.8	56/25.3-28	3450	63dba@60Hz	45	20.4
	50	60	102	30	74.7	28	69.7	.63	100-110/220, 1Ø	9.9-11.6/5.8	48.2-53/26.5	2850		45	20.4
VB004	60	72	122.3	43.5	108.4	39.7	98.9	.75	200-230/460, 3Ø	2.3-2.4/1.2	13.7-15.8/7.9	3450	63dba@60Hz	40	18.2
	50	60	102	30	74.7	28	69.7	.63	190/380-415, 3Ø	2.4/1.2-1.3	14.6/7.3-6.7	2850		40	18.2

Maximum Ambient Temperature: 104°F/40°C. Maximum Internal Motor Temperature: 311°F/155°C.

### PERFORMANCE

60Hz

50Hz



Note: Dimensions, specifications and performance data are subject to change without notice. Contact factory for latest information.