

VB003S, VB003

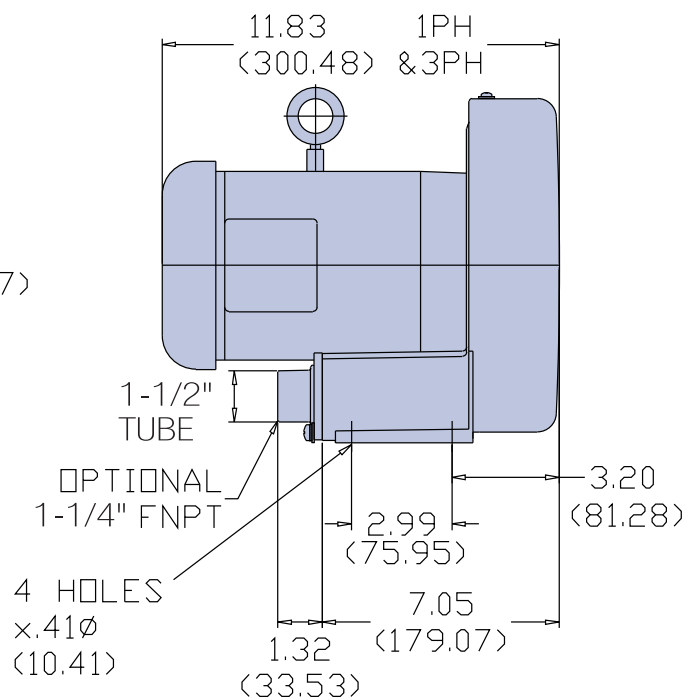
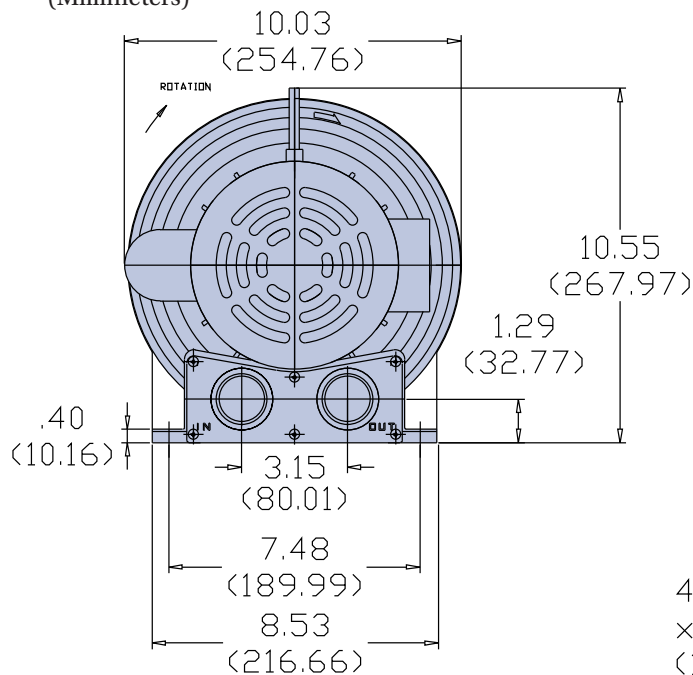
Single Phase or Three Phase TEFC Motor

- Flow to 60 cfm
- ½ hp
- NEMA Class F Insulation
- CE, UL Listed, CSA Certified Motor
- Patented Reversible Flange for Threaded or Tube Connection



DIMENSIONS

Inches
(Millimeters)



VB003S, VB003

Single Phase or Three Phase TEFC Motor

SPECIFICATIONS

Model No.	Freq	Maximum Volume		Maximum Operating Pressure		Maximum Operating Vacuum		hp	Standard Voltage	FLA Current	Locked Rotor Current	Speed	Estimated Acoustical Noise Level @ 1.5m	Weight	
		cfm	m ³ h	"H ₂ O	mbar	"H ₂ O	mbar		Volts	Amperes	Amperes			lb	kg
VB003S*	60	60	102	44	109.6	40	99.6	.5	115/230, 1Ø	5.2/2.6	22.7/11.35	3400	66dba@60Hz	35	15.9
	50	49	83.3	30.2	75.2	28.2	70.2	.5	110/220, 1Ø	5.6/2.8	22.12/11.06	2800		35	15.9
VB003**	60	60	102	44	109.6	40	99.6	.5	208-230/460, 3Ø	1.8-1.6/.8	11.25-10.42/5.21	3450	66dba@60Hz	29	13.2
	50	49	83.3	30.2	75.2	28.2	70.2	.5	190/380-415,3Ø	2/1-.9	9.6/4.8-4.7	2850		29	13.2

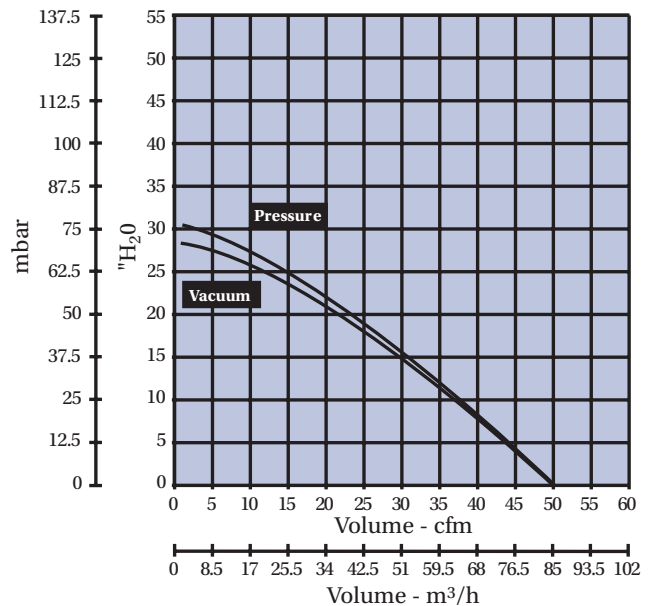
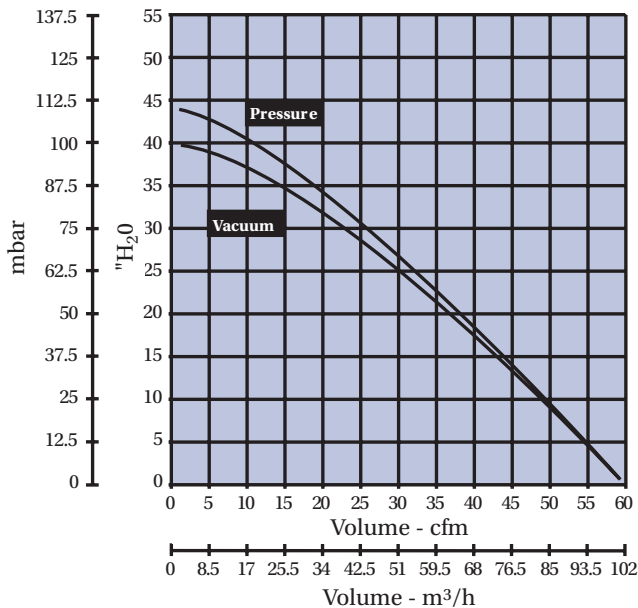
*Maximum Ambient Temperature: 140°F/60°C. Maximum Internal Motor Temperature: 311°F/155°C.

**Maximum Ambient Temperature: 140°F/60°C. Maximum Internal Motor Temperature: 356°F/180°C.

PERFORMANCE

60Hz

50Hz



Note: Dimensions, specifications and performance data are subject to change without notice. Contact factory for latest information.