

VB002S, VB002

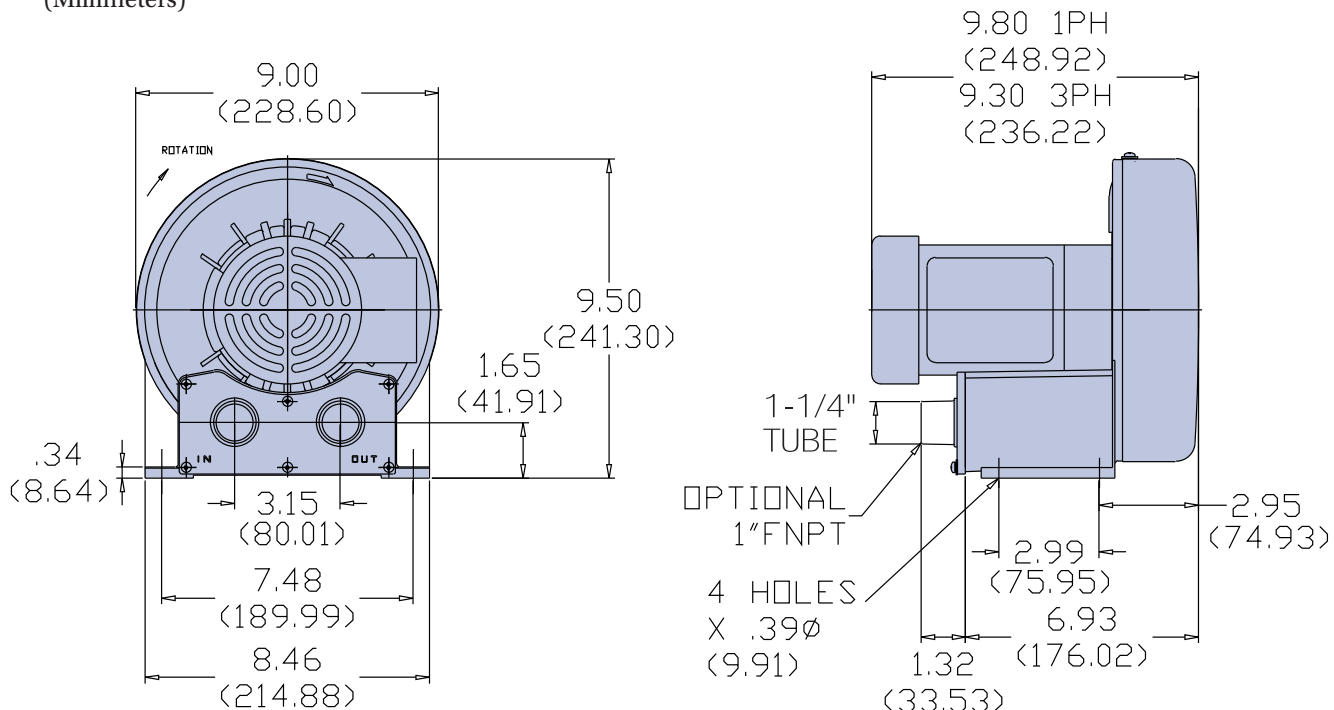
Single Phase or Three Phase TEFC Motor

- Flow to 40 cfm
- ¼ hp
- NEMA Class F Insulation
- CE, UL Listed, CSA Certified Motor
- Patented Reversible Flange for Threaded or Tube Connection



DIMENSIONS

Inches
(Millimeters)



VB002S, VB002

Single Phase or Three Phase TEFC Motor

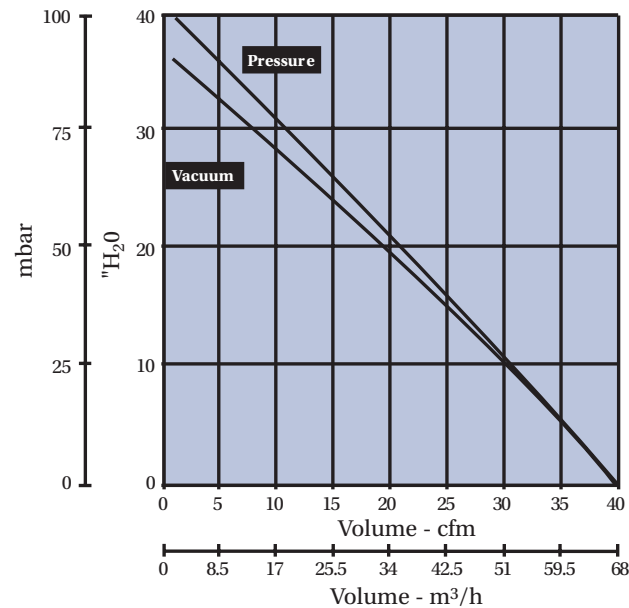
SPECIFICATIONS

Model No.	Freq	Maximum Volume		Maximum Operating Pressure		Maximum Operating Vacuum		hp	Standard Voltage	FLA Current	Locked Rotor Current	Speed	Estimated Acoustical Noise Level @ 1.5m	Weight	
		cfm	m ³ h	"H ₂ O	mbar	"H ₂ O	mbar		Volts	Amperes	Amperes			lb	kg
VB002S	60	40	68	40	99.6	36.5	90.9	.25	115/230, 1Ø	2.3/1.15	7.3/3.65	3300	61dba@60Hz	20.7	9.4
	50	33	56.1	27.5	68.5	25.5	63.5	.21	110/220, 1Ø	2.1/1.05	7/3.5	2700		20.7	9.4
VB002	60	40	68	40	99.6	36.5	90.9	.25	200-230/460, 3Ø	.86-.78/.39	3.4-3.9/1.95	3400	61dba@60Hz	19.5	8.9
	50	33	56.1	27.5	68.5	25.5	63.5	.21	190-220/380-415, 3Ø	.79-.74/.39-.38	3.3-3.8/1.6-1.8	2800		19.5	8.9

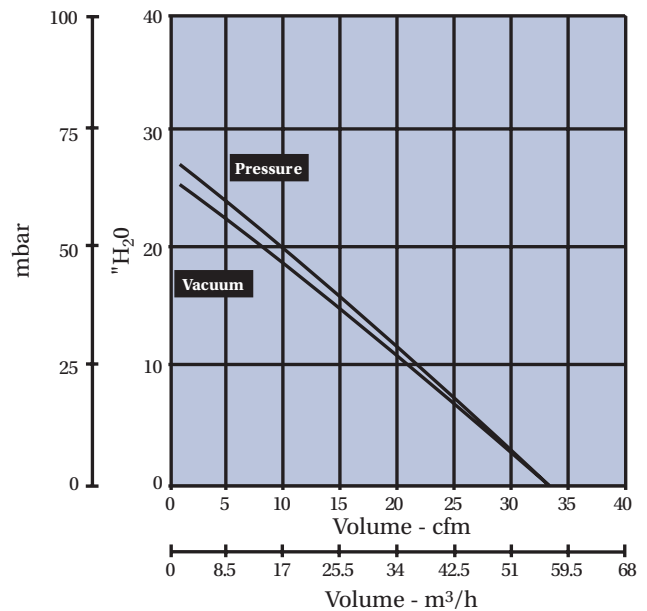
Maximum Ambient Temperature: 140°F/60°C. Maximum Internal Motor Temperature: 311°F/155°C.

PERFORMANCE

60Hz



50Hz



Note: Dimensions, specifications and performance data are subject to change without notice. Contact factory for latest information.