

# VB001S, VB001

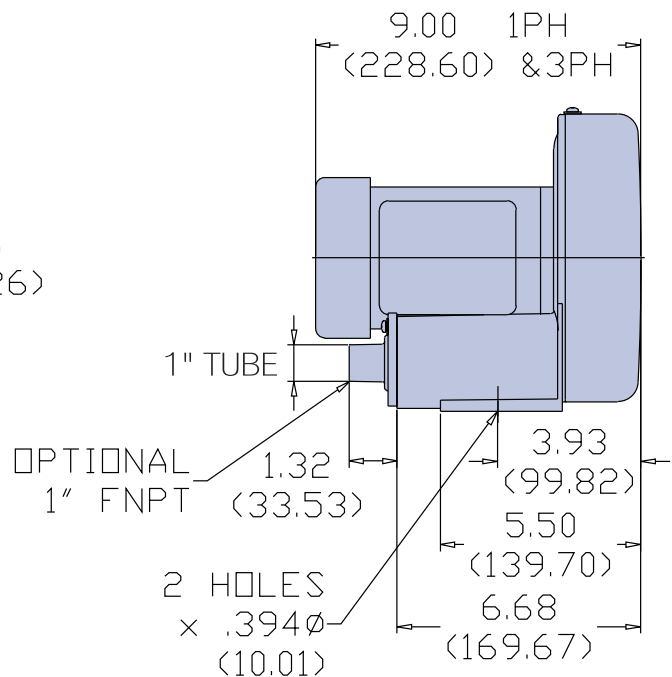
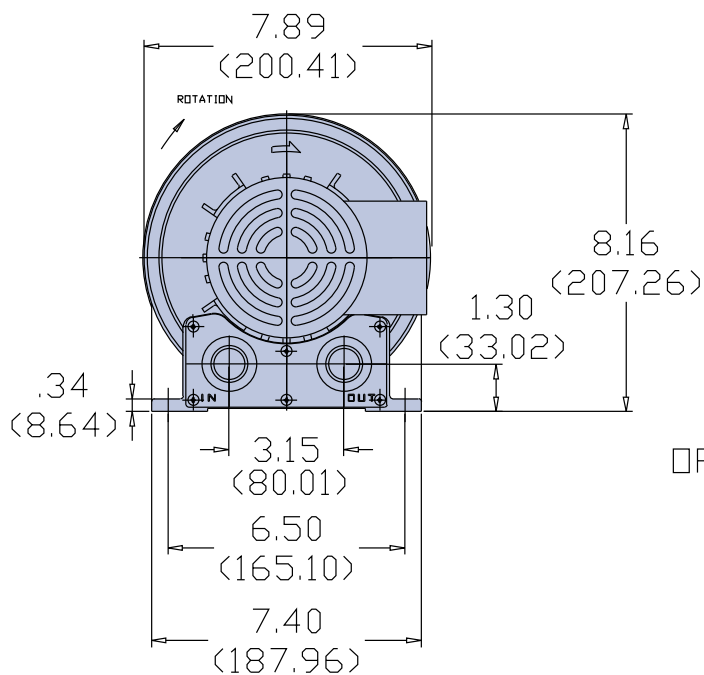
## Single Phase or Three Phase TEFC Motor

- Flow to 25 cfm
- 1/8 hp
- NEMA Class F Insulation
- CE, UL Listed, CSA Certified Motor
- Patented Reversible Flange for Threaded or Tube Connection



### DIMENSIONS

Inches  
(Millimeters)



# VB001S, VB001

## Single Phase or Three Phase TEFC Motor

### SPECIFICATIONS

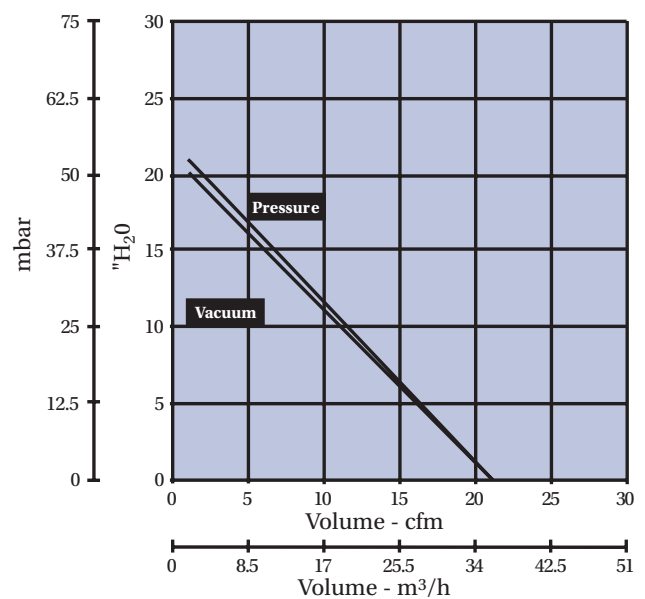
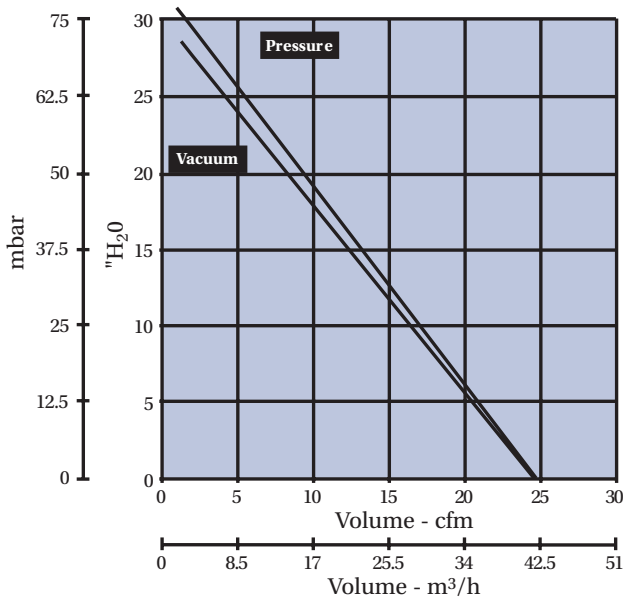
Model No.	Freq	Maximum Volume		Maximum Operating Pressure		Maximum Operating Vacuum		hp	Standard Voltage	FLA Current	Locked Rotor Current	Speed	Estimated Acoustical Noise Level @ 1.5m	Weight	
		cfm	m <sup>3</sup> /h	"H <sub>2</sub> O	mbar	"H <sub>2</sub> O	mbar		Volts	Amperes	Amperes			lb	kg
VB001S	60	25	42.5	30.7	76.5	28.5	71	.13	115/230, 1Ø	1.25/.63	6.2/3.1	3450	62dba@60Hz	16	7.3
	50	21	35.7	21.3	53.1	20	49.8	.13	110/220, 1Ø	1.34/.67	6/3	2850		16	7.3
VB001	60	25	42.5	30.7	76.5	28.5	71	.13	200-230/460, 3Ø	.5-.48/.24	3.1-3.5/1.75	3450	61dba@60Hz	15	6.81
	50	21	35.7	21.3	53.1	20	49.8	.13	190-220/380-415, 3Ø	.5-.52/.25-.26	3.6-3.1/1.7-1.5	2850		15	6.81

Maximum Ambient Temperature: 140°F/60°C. Maximum Internal Motor Temperature: 311°F/155°C.

### PERFORMANCE

**60Hz**

**50Hz**



Note: Dimensions, specifications and performance data are subject to change without notice. Contact factory for latest information.