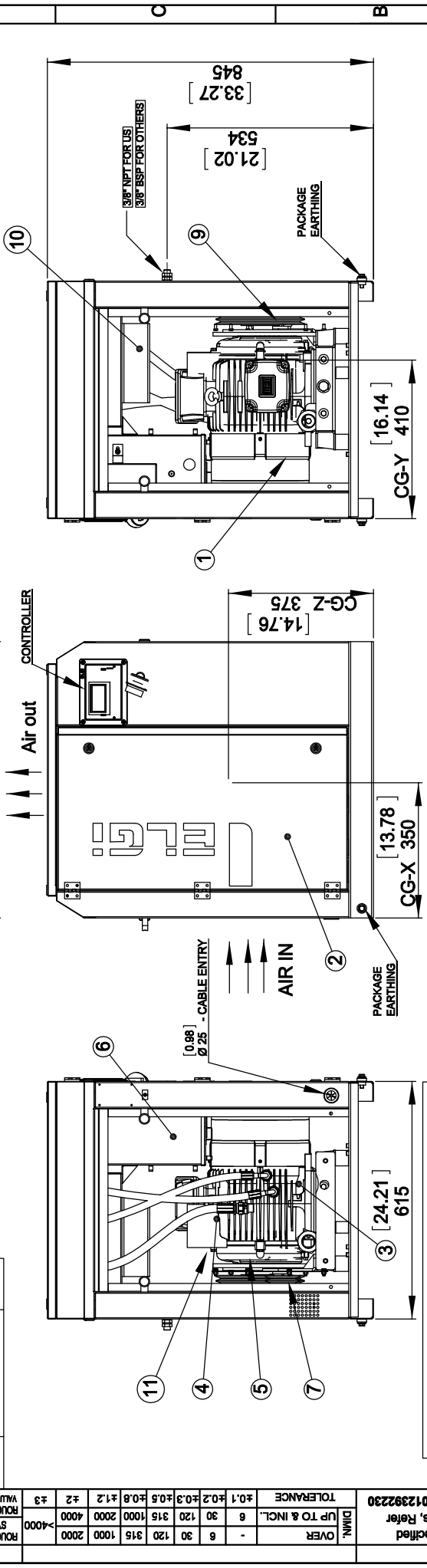


S.NO	DESCRIPTION	QTY
11	AIR FILTER	1
10	COOLING FAN	1
9	DRIVE PULLEY	1
8	BELT	2
7	DRIVEN PULLEY	1
6	CONTROL PANEL	1
5	INTAKE VALVE	1
4	AIR OIL SEPARATOR	1
3	OIL FILTER	1
2	AIREND	1
1	MOTOR	1
S.NO	DESCRIPTION	QTY



ELGI ELGI EQUIPMENTS LTD., COIMBATORE - INDIA.

GA EN53 V3
(50Hz & 60Hz)

REF.DRG.No. **015314084** NEXT ASSY.

SCALE **1:1** NTS

DRG.No. **015314084** DRG.SHEET **1** OF **3** REVISION **IR 02**

REV. NO. ECO.No. DATE

DESCRIPTION

ALT. BY CHKD. BY

SI.No. DESCRIPTION Qty. DRAWING No. Rev. REMARKS

MODEL : EN 2.2 to EN5.5 MATERIAL : REFER BOM

WEIGHT : 2013 NAME AN DATE 30.01.15

CAD CHECKED APPROVED

350(13.78) 410(16.14) 375(14.76)

NOTE:
 ① Indicates ducting dimension
 2.All dimensions without tolerance are for reference only
 3.Minimum distance required around the compressor is 1m(3.2ft) at all sides and 2m(6.56ft) at top (Installation requirement)

For unspecified Tolerances, Refer Drg. No. 012392230

DIMENSIONAL OVER	TOLERANCE
UP TO & INCL. 6	±0.1
6 TO 30	±0.2
30 TO 120	±0.3
120 TO 315	±0.5
315 TO 1000	±0.8
1000 TO 2000	±1.2
2000 TO 4000	±2
>4000	±3

ROUGHNESS SYMBOL VALUE IN μm

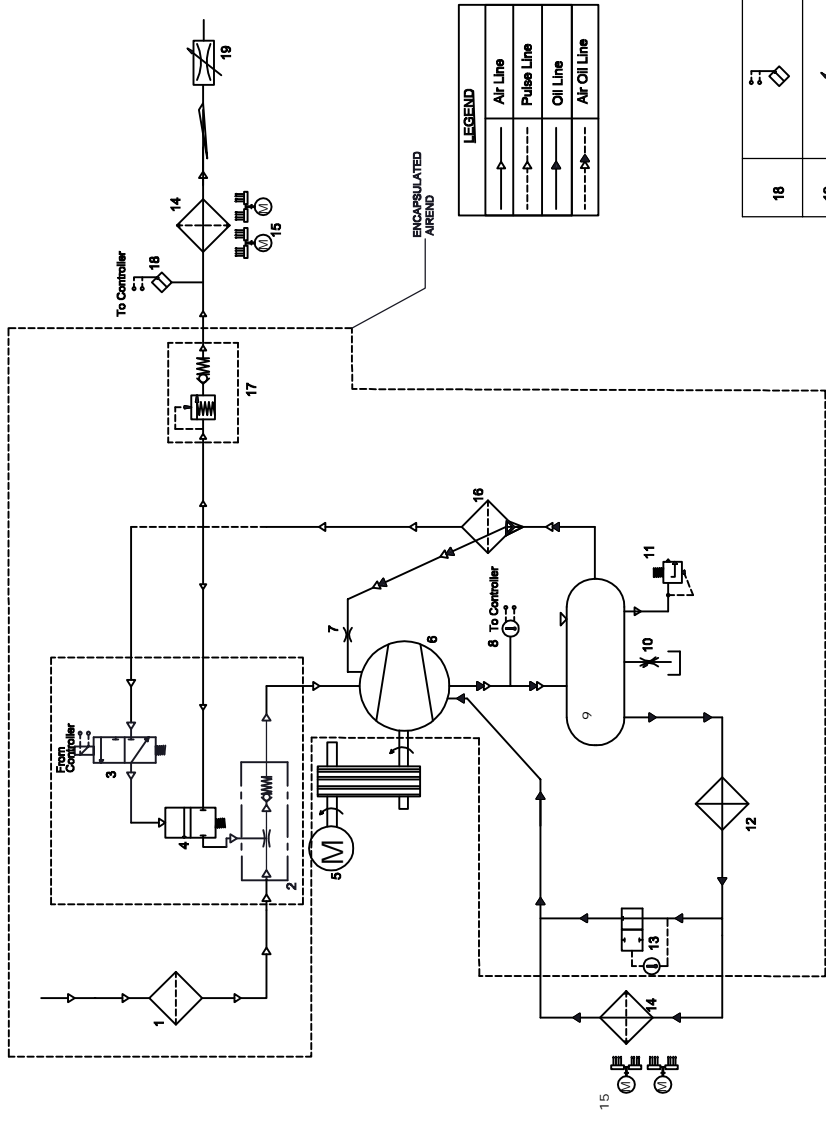
ROUGHNESS 0.025 0.05 0.1 0.2 0.4 0.8 1.6 3.2 6.3 12.5 25 50

ROUGHNESS 1/16 1/8 1/4 1/2 3/4 1 1 1/2 2 3 4 5 6 8 10 12 16 20 25 32 40 50 63 80 100 125 160 200 250 315 400 500 630 800 1000 1250 1600 2000 2500 3150 4000 5000 6300 8000 10000

Information contained in this document is CONFIDENTIAL the property of ELGI EQUIPMENTS LIMITED production of these in any form should only be done with the specific permission of the company.

P AND I - OFF MODE

1		AIR FILTER
2		INTAKE VALVE - NC
3		SOLENOID VALVE - 24V AC - NC
4		BLOW DOWN VALVE
5		MOTOR
6		AIREND
7		SCAVENGING ORIFICE
8		TEMPERATURE SENSOR
9		AIR OIL SEPARATOR TANK
10		OIL DRAIN VALVE
11		SAFETY VALVE
12		OIL FILTER
13		THERMOSTATIC VALVE
14		SPLIT OIL AND AIR COOLER
15		COOLING FAN -1no 5.5kW & 7kW -2nos 1.1kW -3nos 15kW
16		AIR-OIL SEPARATOR
17		MINIMUM PRESSURE VALVE



LEGEND	
	Air Line
	Pulse Line
	Oil Line
	Air Oil Line

18		PRESSURE TRANSMITTER
19		BALL VALVE

⚠ - CRITICAL CHARACTERISTIC (SAFETY/REGULATORY)
 ⚠ - SIGNIFICANT CHARACTERISTIC (FIT/FORM/FUNCTION/FINISH)

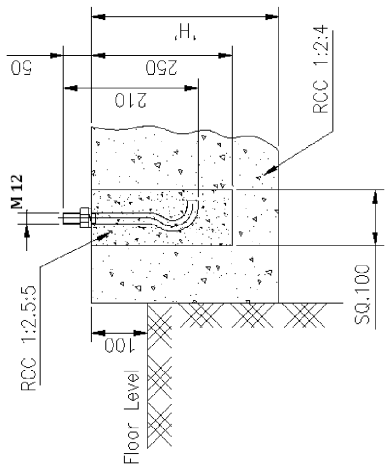
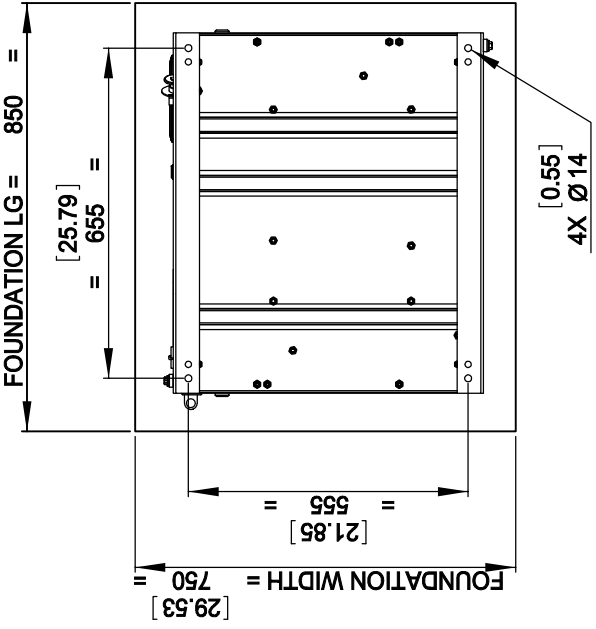
LEGEND

ELGI ELGI EQUIPMENTS LTD., COIMBATORE - INDIA.		
MODEL : EN 2.2 to EN5.5 MATERIAL : REFER BOM		
WEIGHT :		
2013	NAME	DATE
CAD	AN	30.01.15
CHECKED		
APPROVED		
REV. NO.	ECO.No.	DATE
ALT. BY	CHKD. BY	DESCRIPTION
REF. DRG. No.	NEXT ASSY.	
DRG.No. 015314084		
DRG.SHEET 2 OF 3	REVISION R 0 2	
Drg. No. 012392230 For unspecified Tolerances, Refer UP TO & INCL.		
DIMINAL OVER 6 30 120 315 1000 2000 TOLERANCE ±0.1 ±0.2 ±0.3 ±0.5 ±0.8 ±1.2 ±2 ±3 FINISHNESS 0.025 0.05 0.1 0.2 0.4 0.8 1.6 3.2 6.3 12.5 25 50 SYMBO N1 N2 N3 N4 N5 N6 N7 N8 N9 N10 N11 N12 SYMBO N1 N2 N3 N4 N5 N6 N7 N8 N9 N10 N11 N12		

Information contained in this document is CONFIDENTIAL the property of ELGI EQUIPMENTS LIMITED production of these in any form should only be done with the specific permission of the company.

6 5 4 3 2 1

2	△	N11	N10	N9	N8	N7	N6	N5	N4	N3	N2	N1	ROUGHNESS SYMBOL	ROUGHNESS VALUE μm	±3	±2	±1.2	±0.8	±0.5	±0.3	±0.2	±0.1	TOLERANCE UP TO & INCL.	OVER	DIMVAL	For unspecified Tolerances, Refer Drg. No. 012392230
25	△	N11	N10	N9	N8	N7	N6	N5	N4	N3	N2	N1	ROUGHNESS SYMBOL	ROUGHNESS VALUE μm	>4000	4000	2000	1000	315	120	30	6				Information contained in this document is CONFIDENTIAL the property of ELGI EQUIPMENTS LIMITED production of these in any form should only be done with the specific permission of the company.



The dimension 'H' shall be determined by the Customer according to the ground condition.

(OPTIONAL)

MODEL	EN2	EN3	EN4	EN5
INDIA (in kg)	133	133	143	150
EUROPE (in kg)	143	143	143	150
US (in lbs)	352	352	352	402

SI.No.	DESCRIPTION	Qty.	DRAWING No.	Rev.	REMARKS
MODEL : EN 2.2 to EN5.5					
MATERIAL : REFER BOM					
WEIGHT :					
2013	NAME	DATE	NEXT ASSY.		
CAD	AN	30.01.15	REF.DRG.No.		
CHECKED			SCALE	DRG.No.	14084
APPROVED			NTS	DRG.SHEET	3 OF 3
				REVISION	IR 02

ELGI ELGI EQUIPMENTS LTD.,
COIMBATORE - INDIA.

GA EN53 V3
(50Hz & 60Hz)

REV. NO.	ECC.No.	DATE	DESCRIPTION	CHKD. BY	ALT. BY
----------	---------	------	-------------	----------	---------