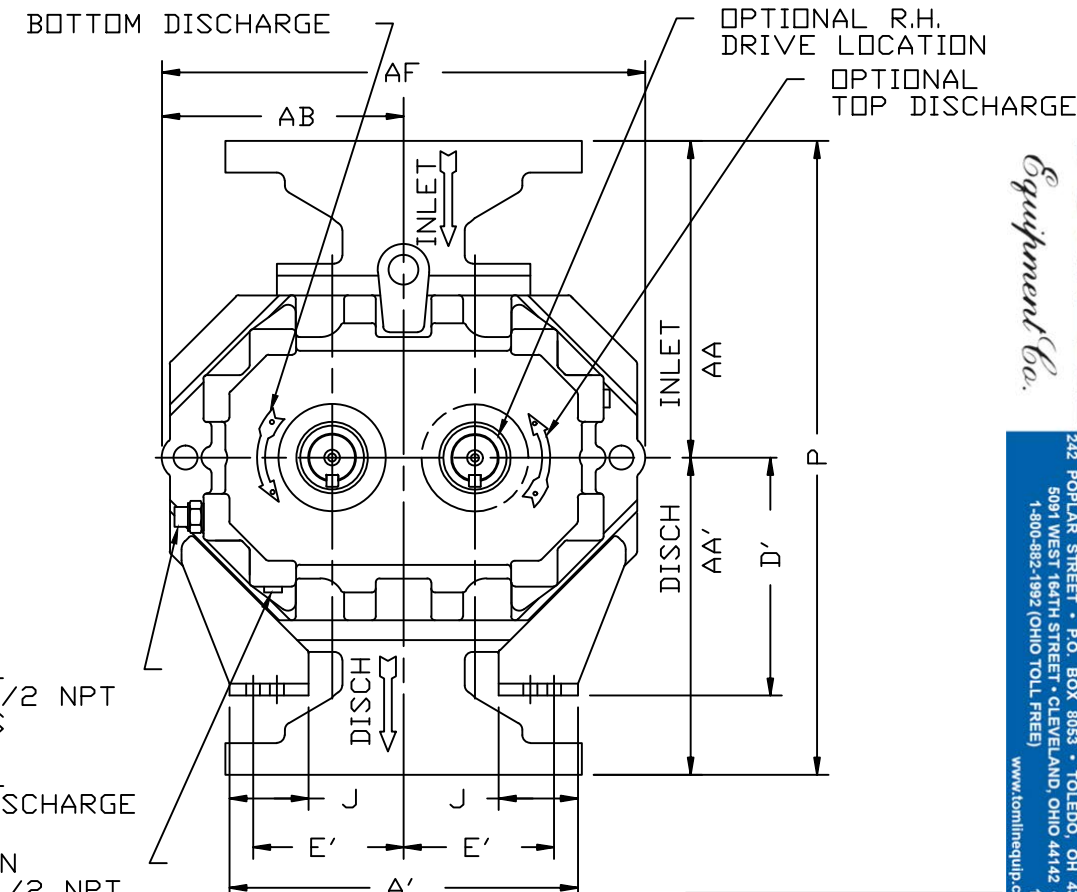
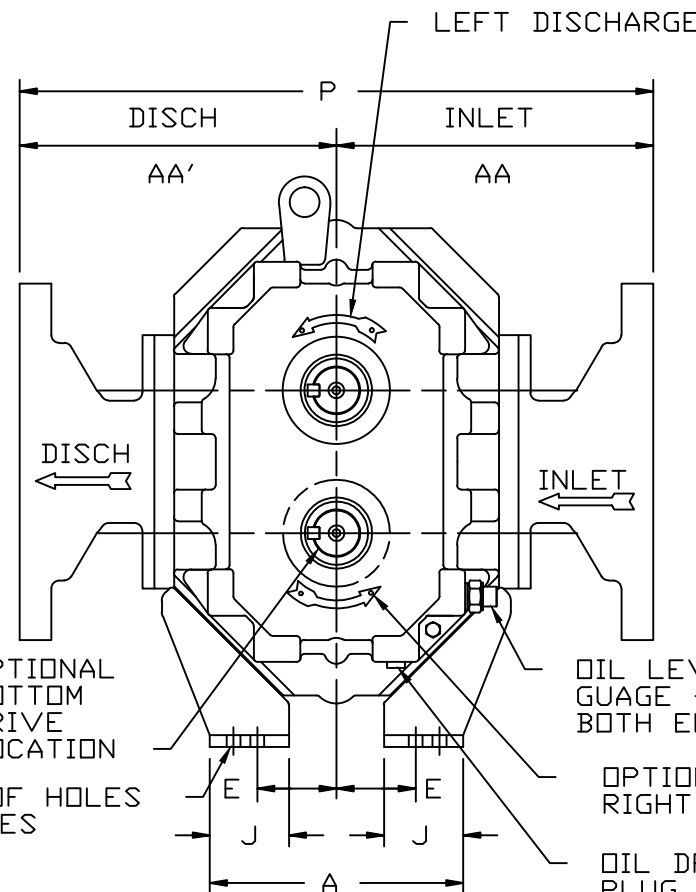
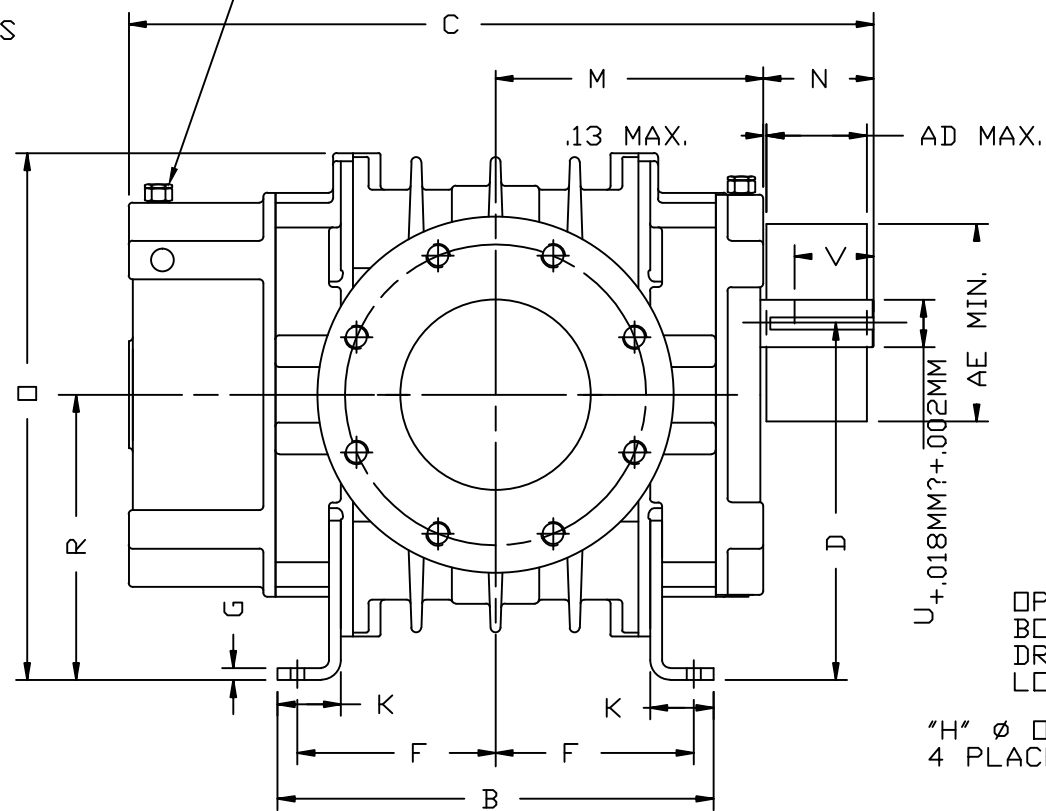


OIL FILL/ BREATHER
1/2 NPT
BOTH ENDS



INLET & DISCHARGE FLANGES TO MATE FLUSH & SQUARE WITH FLAT FACE FLANGE ONLY. USE FULL FACE GASKETS.

V-BELT DRIVEN UNITS: MOTOR TO BE LOCATED ON INLET SIDE OF BLOWER.

AD - MAXIMUM SHEAVE WIDTH (SEE OVERHUNG LOAD LIMIT K-24102)

AE - MINIMUM SHEAVE DIAMETER (SEE OVERHUNG LOAD LIMIT K-24102)

ALL DIMENSIONS IN INCHES UNLESS OTHERWISE SPECIFIED
METRIC DIMENSIONAL #90780021

ANSI FLANGE DIMENSIONS						
	FA	FB	FC	FD	FE	FG
6 FLG	6.00	9.50	11.25	8	75-10	1.00
8 FLG	8.00	11.75	13.50	8	75-10	1.13
10 FLG	10.00	14.25	16.00	12	.88-9	1.19

FA - FLANGE OPENING
FB - FLANGE BOLT CIRCLE
FC - FLANGE D.D.
FD - No. TAPPED HOLES
FE - SIZE OF TAPPED HOLES
FG - DEPTH OF TAP

DRIVE LOCATION		
DISCH. LOCATION	DRIVE LOCATION	
	LH	RH
TOP	CW	CCW
BOTTOM	CCW	CW

UNIT IS BUILT TO CUSTOMERS SPECIFIED ORIENTATION

MODEL	A	A'	B	C	D	D'	E	E'	F	G	H	J	K	M	N	O	P	R	U	V	KEYWAY	INLET	DISCH	AB	AD	AE	AF	FLANGE SIZE	APPROX WEIGHT
409	8.00	11.00	13.77	23.50	1.25	7.50	2.50	4.75	6.26	.38	44	2.50	2.00	8.44	3.50	16.63	20.00	9.00	35.0	63.5	10.0X5.0	10.00	10.00	7.63	3.06	7.10	15.25	6"	356 LBS
413	"	"	17.78	27.50	"	"	"	"	8.26	"	"	"	"	10.44	"	"	21.25	"	"	"	"	10.63	10.63	"	"	"	"	"	428 LBS
416	"	"	21.03	30.75	"	"	"	"	9.88	"	"	"	"	12.06	"	"	21.50	"	"	"	"	10.75	10.75	"	"	"	"	8"	520 LBS
617	9.00	15.00	22.11	33.56	5.00	9.00	3.50	6.50	0.43	.38	56	2.50	2.00	13.08	4.33	22.00	24.75	12.00	50.0	76.2	14.0X5.5	13.38	13.38	10.00	4.44	8.50	20.00	8"	836 LBS
621	"	"	27.73	37.73	"	"	"	"	12.52	"	"	"	"	15.17	"	"	25.88	"	"	"	"	13.44	13.44	"	"	"	"	10"	996 LBS

CERTIFIED CORRECT FOR CUSTOMER ORDER No. _____ ROOTS ORDER No. _____ DATE _____	C	UPDATE TO HOWDEN, TRI-RAM BRAND	MPM	16849V	MNM	BELTS	TRI-RAM TM TRI-LOBE BLOWERS 409, 413, 416, 617, & 621	Howden	RDR	90779021	REV. C
	B	REV DIMS AA AND AA'		11471H		DRIVE SHEAVE			DR		
	A	ORACLE CONVERSION				DRIVEN SHEAVE			CHKD		
	REVISIONS	BY	CHANGE NOTICE	CHKD.	APP.	CENTER DISTANCE			APP		

TOMLIN
Equipment Co.
INDUSTRIAL EQUIPMENT • MAJOR STOCKING DISTRIBUTOR
ENGINEERING • SALES • SERVICE • PARTS

242 POPULAR STREET • P.O. BOX 8055 • TOLEDO, OH 43605 • (419) 691-3571 • FAX (419) 691-1928
5091 WEST 164TH STREET • CLEVELAND, OHIO 44142 • (216) 285-0666 • FAX (216) 285-0667
1-800-882-1892 (OHIO TOLL FREE) 1-855-891-0821 (MICHIGAN TOLL FREE) www.tomlincorp.com