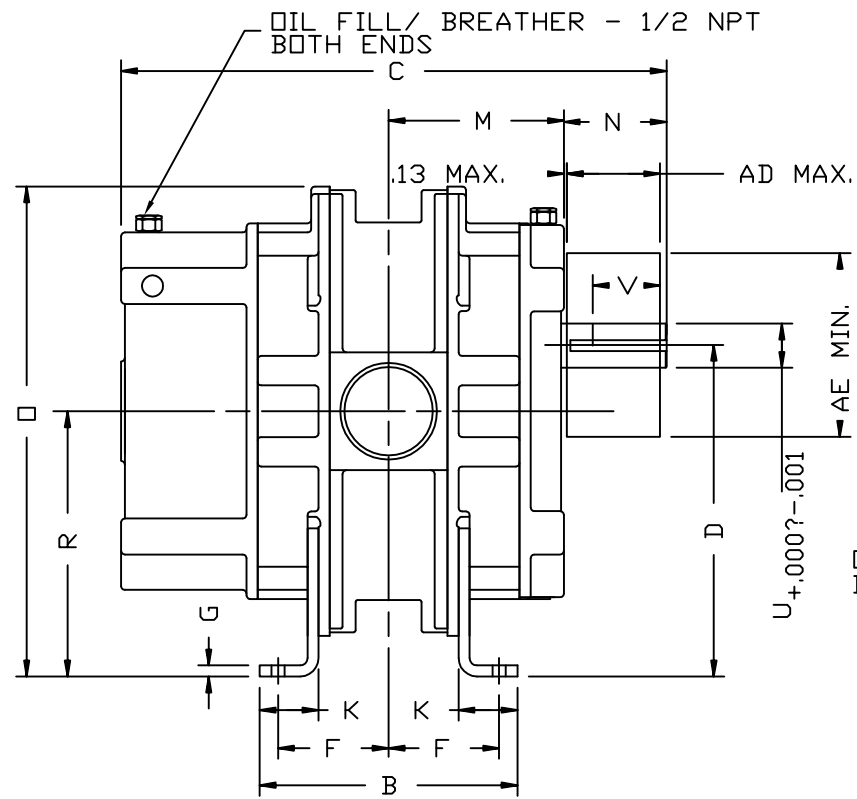


TOMLIN

Equipment Co.

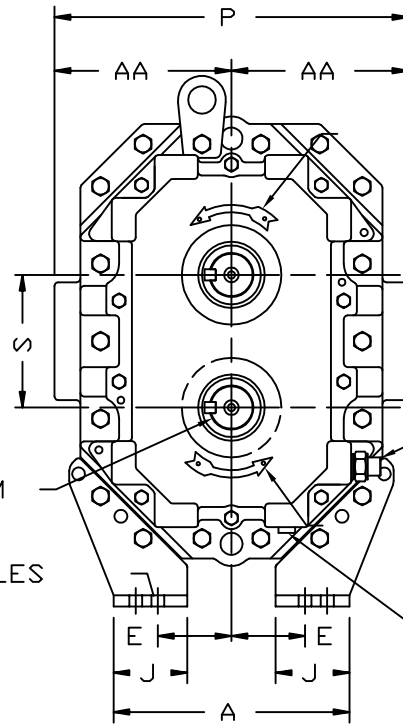
INDUSTRIAL EQUIPMENT • MAJOR STOCKING DISTRIBUTOR
 ENGINEERING • SALES • SERVICE • PARTS
 242 POPLAR STREET • P.O. BOX 8053 • TOLEDO, OH 43605 • (419) 691-3571 • FAX (419) 691-1928
 5091 WEST 164TH STREET • CLEVELAND, OHIO 44142 • (216) 265-0666 • FAX (216) 265-0667
 1-800-882-1992 (OHIO TOLL FREE) 1-855-691-0621 (MICHIGAN TOLL FREE)
 www.tomlinequip.com



DISCH

OPTIONAL BOTTOM DRIVE LOCATION

"H" Ø OF HOLES 4 PLACES



LEFT DISCHARGE

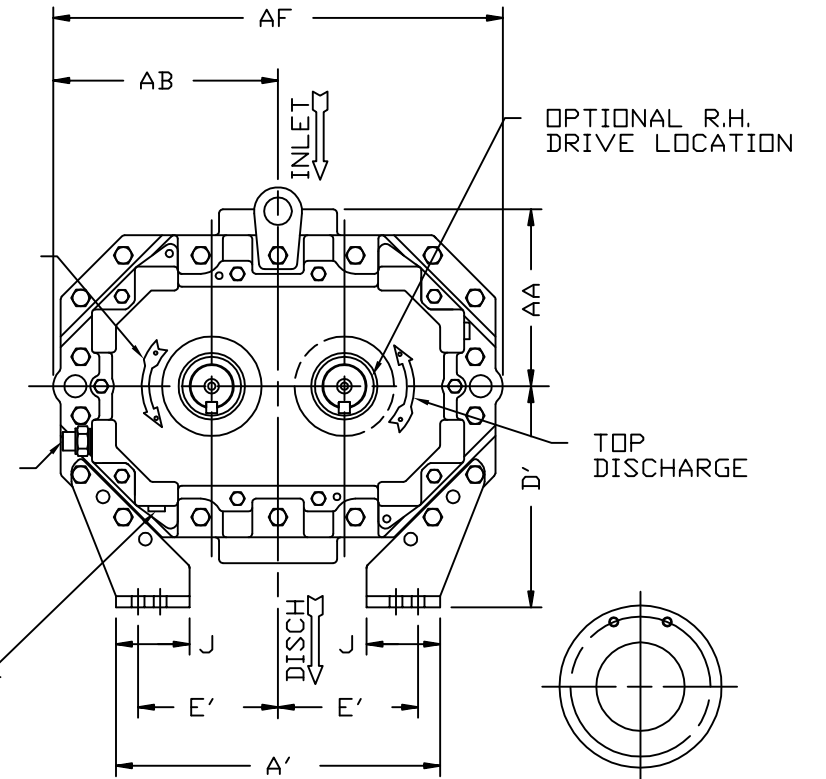
BOTTOM DISCHARGE

INLET

OIL LEVEL GUAGE - 1/2 NPT BOTH ENDS

RIGHT DISCHARGE

OIL DRAIN PLUG - 1/2 NPT BOTH ENDS



OPTIONAL R.H. DRIVE LOCATION

TOP DISCHARGE

- W - INLET
- W' - DISCHARGE
- AD - MAXIMUM SHEAVE WIDTH (SEE OVERHUNG LOAD LIMIT K-24102)
- AE - MINIMUM SHEAVE DIAMETER (SEE OVERHUNG LOAD LIMIT K-24102)
- ALL DIMENSIONS IN INCHES

INLET & DISCHARGE FLANGES TO MATE FLUSH & SQUARE WITH FLAT FACE FLANGE ONLY. USE FULL FACE GASKETS.

V-BELT DRIVEN UNITS: MOTOR TO BE LOCATED ON INLET SIDE OF BLOWER.

A 5048V B 5048V C 5560V D 5767V
 E 5986V F 6006V

FLG	5"	6"	8"	10"
OPENING	5"	6"	8"	10"
BOLT CIRCLE	8.50	9.50	11.75	14.25
FLANGE O.D.	10.00	11.00	13.50	16.00
No TAPPED HOLES	8	8	8	12
SIZE HOLES	3/4-10	3/4-10	3/4-10	7/8-9
TAP DEPTH	1.13	1.13	1.13	1.13

FRAME SIZE	A	A'	B	C	D	D'	E	E'	F	G	H	J	K	M	N	O	P	R	S	U	V	KEYWAY	W	W'	AA	AB	AD	AE	AF	APPROX WEIGHT
404	8.00	11.00	8.75	18.50	11.25	7.50	2.50	4.75	3.75	.38	44	2.50	2.00	5.95	3.48	16.63	12.00	9.00	4.50	1.50	2.75	.375x.188	3*NPT	3*NPT	6.00	7.63	3.06	7.10	15.25	230
406	"	"	10.75	20.50	"	"	"	"	4.75	"	"	"	"	6.95	"	"	"	"	"	"	"	"	4*NPT	4*NPT	"	"	"	"	"	260
409	"	"	13.75	23.50	"	"	"	"	6.25	"	"	"	"	8.45	"	"	11.00	"	"	"	"	"	"	"	5.50	"	"	"	"	300
412	"	"	16.75	26.50	"	"	"	"	7.75	"	"	"	"	9.95	"	"	"	"	"	"	"	"	"	"	"	"	"	"	"	360
418	"	"	22.75	32.50	"	"	"	"	10.75	"	"	"	"	12.95	"	"	"	"	"	"	"	"	"	"	"	"	"	"	"	440
612	11.00	17.00	16.75	28.24	15.00	9.00	4.00	7.00	7.31	.38	75	3.00	2.00	10.43	4.30	22.13	18.00	12.00	6.00	2.00	3.00	.500x.250	8*FLG	8*FLG	9.00	10.13	4.44	8.50	20.00	575
616	9.00	15.00	20.75	32.19	15.00	9.00	3.50	6.50	9.75	.38	56	2.50	2.00	12.41	4.30	22.00	14.50	12.00	6.00	2.00	3.63	.500x.250	8*FLG	8*FLG	7.25	10.00	4.44	8.50	20.00	650
624	"	"	28.75	40.19	"	"	"	"	13.75	"	"	"	"	16.41	"	"	"	"	"	"	"	"	"	"	"	"	"	"	"	775

CONFIDENTIAL AND PROPRIETARY: THIS DRAWING IS CONFIDENTIAL AND IS THE PROPERTY OF HOWDEN ROOTS, LLC. THE DRAWING OR ANY PART THEREOF MUST NOT BE COPIED OR OTHERWISE REPRODUCED OR DIVULGED TO ANY OTHER PARTY, OR USED FOR MANUFACTURE OR OTHER PURPOSE WITHOUT THE EXPRESS PERMISSION OF THE COMPANY.

MFG. REF.:		SPEC SECTION:				ENGINEER CO.:				MAT'L:		PATT. No.		GEOMETRIC TOLERANCE PER: EP938		ORDER No.	
ADDED 612, UPDATED TO HOWDEN		MPM		1/25/16		16916V		MNM		DR. RDR		DIMENSIONAL TOLERANCES PER UNLESS OTHERWISE SPECIFIED T1		DO NOT SCALE FOR DIMENSIONS ALL DIMENSIONS SHOWN IN BRACKETS [] ARE MILLIMETERS		THIRD ANGLE PROJECTION	
REMOVED AA'		RDR		6484V						CHKD.BMS		T1: TWO PLACE DECIMALS (.XX) ±0.015 THREE PLACE DECIMALS (.XXX) ±0.005 FRACTIONAL ±1/64		T2: ANCHOR BOLT LOCATIONS ±.13 BLOWER INLET & DISCHARGE LOCATIONS ±.25 ALL OTHER DIMENSIONS REFERENCE		FINISH IN μ INCHES	
REV DIM "H" ON 600		RDR		6294V		BMS		AGP		APP. RDA		400/600 SERIES RAM (NON-WHISPAIR) RAM		800-827-9200 78390021		REV L	
REV DIM "AF" ON 600		RDR		6260V		BMS		AGP		DBV.							
REVISIONS		BY		DATE M/D/Y		CHANGE NOTICE		CHKD APP		CAD FORMAT AUTO CAD		CAD FILE / DIRECTORY 78390A21 / XXAD		SCALE NTS		DATE M/D/Y	