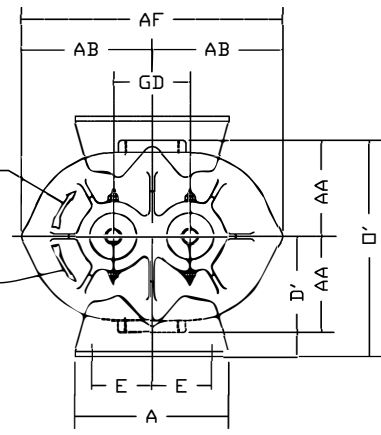
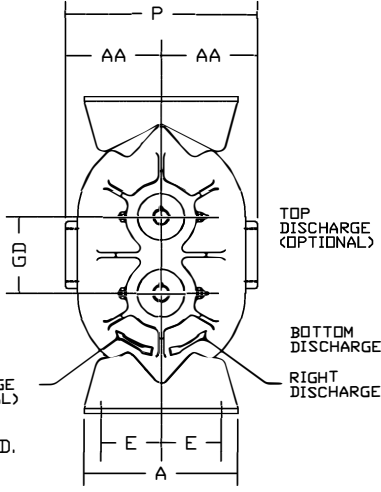
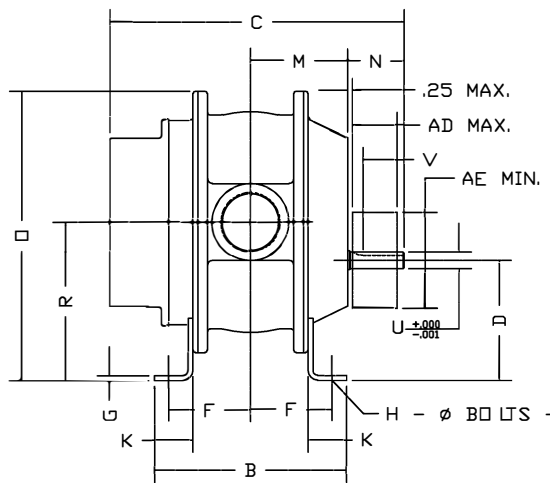


FRAME	APPROX. OIL CAPACITY	
	VERTICAL	HORIZONTAL
3-1/2	8.5 FL. OZ.	16 FL. OZ.
4	12.7 FL. OZ.	22.8 FL. OZ.
5	16.0 FL. OZ.	27.6 FL. OZ.



**INDUSTRIAL EQUIPMENT • MAJOR STOCKING DISTRIBUTOR**  
**ENGINEERING • SALES • SERVICE • PARTS**  
 242 POPLAR STREET • P.O. BOX 8053 • TOLEDO, OH 43605 • (419) 891-3571 • FAX (419) 891-1928  
 5091 WEST 164TH STREET • CLEVELAND, OHIO 44142 • (216) 265-0686 • FAX (216) 265-0687  
 1-800-882-1992 (OHIO TOLL FREE) 1-855-691-0621 (MICHIGAN TOLL FREE)  
 www.tomlinequip.com

No. REQ'D.	PART NAME	PATT. No. PART No.	MAT'L.



W - INLET & DISCHARGE  
 AD - SHEAVE WIDTH  
 AE - SHEAVE DIAMETER

ALL DIMENSIONS IN INCHES

**UNIVERSAL RAI-J WHISPAIR BLOWER**

FRAME SIZE	GD	A	B	C	D	D'	E	E	F	F	G	H	K	M	N	O	O'	P	R	U	KEYWAY	W	V	AA	AB	AD	AE	AF	APPROX. WT. LBS.
							MIN.	MAX.	MIN.	MAX.											NPT.								
33	3.50	7.25	7.63	12.13	5.00	5.00	2.50	2.88	3.00	3.25	.25	.44	1.75	3.81	2.44	12.81	10.00	10.00	6.75	.750	.188x.094	2"	1.63	5.00	6.06	1.91	5.00	12.13	84
36			10.00	14.63					4.18	4.44				5.00	2.56		10.50	11.00			2-1/2"	1.75	5.50						112
45	4.00	8.00	10.00	15.50	6.25	6.25	3.00	3.13	3.56	4.25	.31	.44	2.00	5.06	2.94	15.06	12.25	12.00	8.25	.875	.188x.094	2-1/2"	2.13	6.00	6.81	2.31	5.00	13.63	119
47			11.75	17.63					4.63	5.38				5.94	3.31			12.00			3"	2.50	6.00						138
56	5.00	10.50	11.00	17.50	6.25	6.75	3.50	3.50	4.25	5.00	.25	.50	1.88	5.81	3.38	17.38	14.00	14.50	8.75	1.125	.25x.125	4"	2.50	7.25	8.63	3.06	6.00	17.25	180

MFG. REF. **CONFIDENTIAL**  
 THIS DOCUMENT CONTAINS CONFIDENTIAL INFORMATION OF ROOTS DIVISION, DRESSER INDUSTRIES, INC. IT SHALL BE HELD IN STRICTEST CONFIDENCE, AND BE USED ONLY IN CONJUNCTION WITH ROOTS DIVISION BUSINESS.

REF: EP938  
 ▭ FLATNESS  
 ∥ ANGULARITY  
 // PARALLELISM  
 ⊕ TRUE POSITION  
 — STRAIGHTNESS

⊙ CONCENTRICITY  
 ⊥ PERPENDICULARITY  
 — PROFILE OF LINE  
 — PROFILE OF A SURFACE  
 ⊕ DIAMETER  
 ✓ FINISH IN MICRO INCHES /PARTS/XXAD

REVISIONS	BY	DATE	CHANGE NOTICE	CHKD	APP
C		12/07/00	REVISION ON 'C' FROM 18.00 TO 17.50	VC	T34
B		1/31/94	ADDED FEET BMS		
A		12/11/92	REMOVED ⊙ REM		

DO NOT SCALE FOR DIMENSIONS  
 ALL DIMENSIONS SHOWN IN BRACKETS ( ) ARE MILLIMETERS

DATE: 9/25/92  
 DR. JHB  
 CHKD.  
 APP.  
 DBV  
 SCALE  
 CAD FILE / DIRECTORY

**ASSY DIM URAI J**  
**33,45,55 URAI**

DIMENSIONAL TOLERANCES UNLESS OTHERWISE SPECIFIED  
 FINISHED DIMENSIONS  
 TWO PLACE DECIMALS (0.00)—.005 FRACTIONAL—1/64  
 THREE PLACE DECIMALS (0.000)—.003 FRACTIONAL—3/64

73959021

REV C