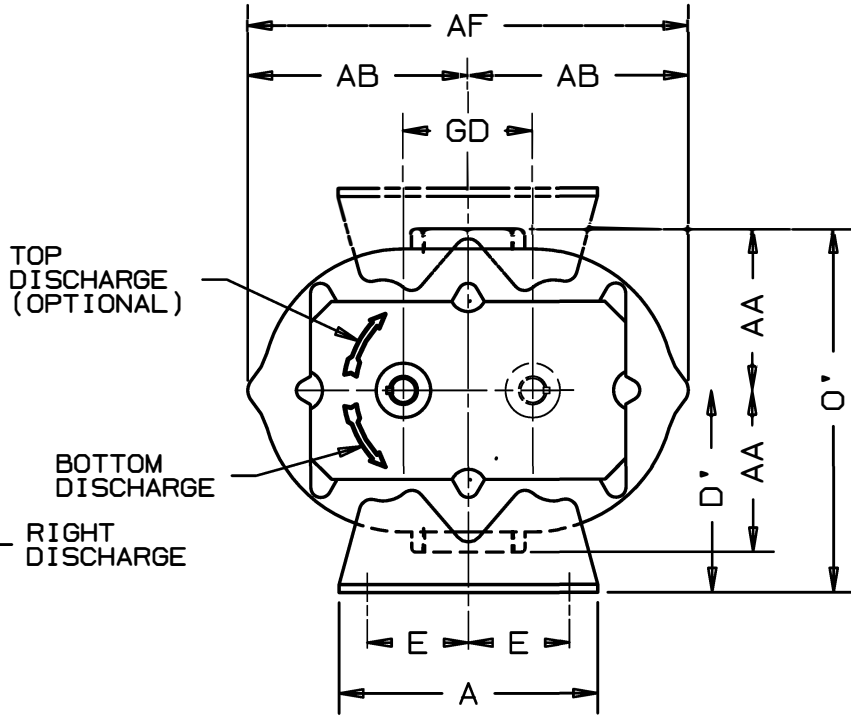
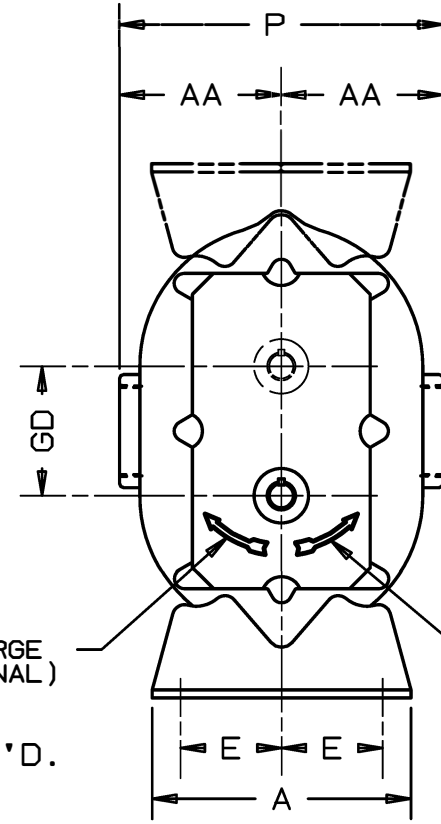
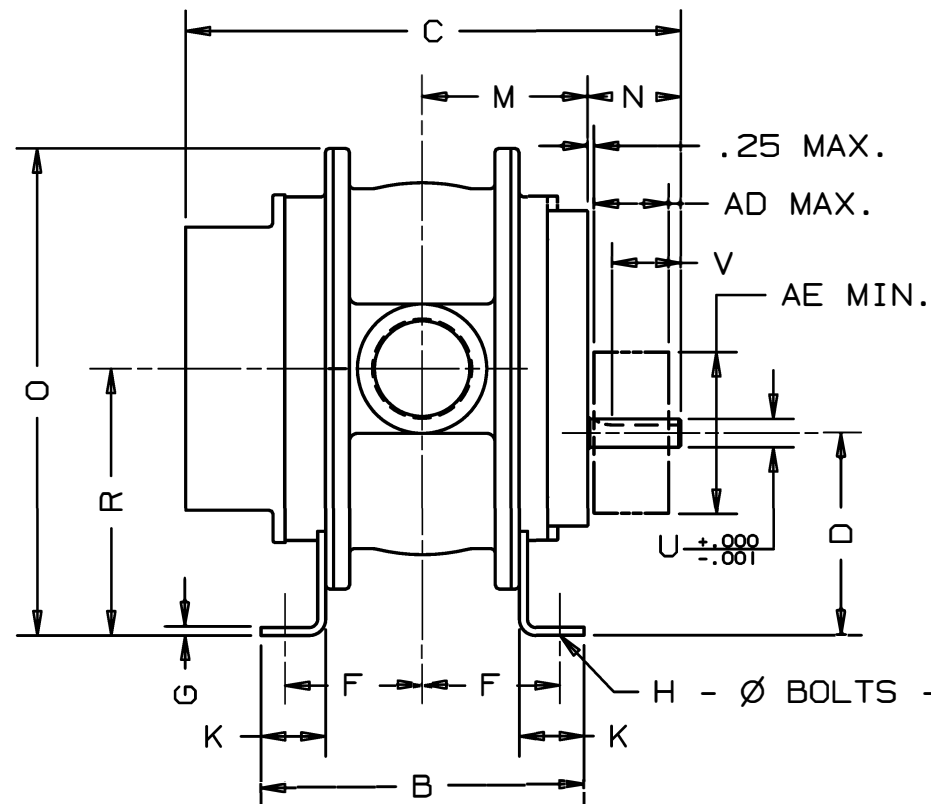


FRAME	APPROX. OIL CAPACITY			
	GEAR END SUMP		DRIVE END SUMP	
	VERTICAL	HORIZONTAL	VERTICAL	HORIZONTAL
3-1/2	8.5 FL. OZ.	16.0 FL. OZ.	4.0 FL. OZ.	6.5 FL. OZ.
4	12.7 FL. OZ.	22.8 FL. OZ.	5.5 FL. OZ.	10.8 FL. OZ.
5	16.0 FL. OZ.	27.6 FL. OZ.	7.5 FL. OZ.	14.8 FL. OZ.



INDUSTRIAL EQUIPMENT • MAJOR STOCKING DISTRIBUTOR
ENGINEERING • SALES • SERVICE • PARTS
 242 POPLAR STREET • P.O. BOX 8053 • TOLEDO, OH 43605 • (419) 691-3571 • FAX (419) 691-1928
 5091 WEST 164TH STREET • CLEVELAND, OHIO 44142 • (216) 285-0666 • FAX (216) 285-0667
 1-800-882-1992 (OHIO TOLL FREE) 1-855-691-0621 (MICHIGAN TOLL FREE)
 www.tomlinequip.com

No. REQ'D.	PART NAME	PATT. No. PART No.	MAT'L.



W - INLET & DISCHARGE
 AD - SHEAVE WIDTH
 AE - SHEAVE DIAMETER

ALL DIMENSIONS IN INCHES

UNIVERSAL RAI-J DSL WHISP AIR BLOWER

FRAME SIZE	GD	A	B	C	D	D'	E MIN.	E MAX.	F MIN.	F MAX.	G	H	K	M	N	O	O'	P	R	U	KEYWAY	W NPT.	V	AA	AB	AD	AE	AF	APPROX. WT. LBS
33	3.50	7.25	7.63	12.13	5.00	5.00	2.50	2.88	3.00	3.25	.25	.44	1.75	3.97	2.28	12.81	10.00	10.00	6.75	.750	.188x.094	2"	1.63	5.00	6.06	1.91	5.00	12.13	87
36	"	"	10.00	14.63	"	"	"	"	4.18	4.44	"	"	"	5.16	2.40	"	10.50	1.00	"	"	"	2-1/2"	1.75	5.50	"	"	"	"	115
45	4.00	8.00	10.00	15.50	6.25	6.25	3.00	3.13	3.56	4.25	.31	.44	2.00	5.16	2.84	15.06	12.25	12.00	8.25	.875	.188x.094	2-1/2"	2.13	6.00	6.81	2.31	5.00	13.63	122
47	"	"	11.75	17.63	"	"	"	"	4.63	5.38	"	"	"	6.03	3.22	"	"	2.00	"	"	"	3"	2.50	6.00	"	"	"	"	141
56	5.00	10.50	11.00	17.50	6.25	6.75	3.50	3.50	4.25	5.00	.25	.50	1.88	5.84	3.34	17.38	14.00	14.50	8.75	1.125	.25x.125	4"	2.50	7.25	8.63	3.06	6.00	17.25	184

MFG. REF.	DATE	DR.	CHKD.	APP.	BY	DATE	CHANGE NOTICE	CHKD.	APP.
	08/15/03	RK	RK	AGP					
	08/15/03								
	08/15/03								

DO NOT SCALE FOR DIMENSIONS
 ALL DIMENSIONS SHOWN IN BRACKETS [] ARE MILLIMETERS

ORDER No. **ASSY DIM URAI J**
33, 45, 55 URAI DSL

REF: EP938
 □ FLATNESS
 ∠ ANGULARITY
 // PARALLELISM
 ⊕ TRUE POSITION
 — STRAIGHTNESS

⊙ CONCENTRICITY
 ⊥ PERPENDICULARITY
 — PROFILE OF LINE
 — PROFILE OF A SURFACE
 ∅ DIAMETER
 ✓ FINISH IN MICRO INCHES
 /PARTS/XXAD

REVISIONS

SCALE NTS
 CAD FILE / DIRECTORY

DIMENSIONAL TOLERANCES UNLESS OTHERWISE SPECIFIED
 FINISHED DIMENSIONS
 TWO PLACE DECIMALS (.XX) --- ±.015
 THREE PLACE DECIMALS (.XXX) --- ±.008
 FRACTIONAL --- ±1/64

T30411021 REV